



Designation: E 130 – 87 (Reapproved 1996)

Standard Practice for Designation of Shapes and Sizes of Graphite Electrodes¹

This standard is issued under the fixed designation E 130; the number immediately following the designation indicates the year of original adoption or, in the case of revision, the year of last revision. A number in parentheses indicates the year of last reapproval. A superscript epsilon (ϵ) indicates an editorial change since the last revision or reapproval.

1. Scope

1.1 This practice describes a number of specific graphite electrode shapes and sizes that are useful in spectrochemical analysis.

2. Terminology

2.1 *perform*—a descriptive word applied to a commercially produced spectroscopic electrode which is purified after machining.

3. Summary of Practice

3.1 The practice classifies electrodes by application and provides dimensional specifications.

4. Significance and Use

4.1 This practice is intended as a reference for spectrochemical methods that utilize graphite electrodes. Methods should employ and reference one of the electrode shapes in this practice, but if this is not possible, the method should include electrode specifications for the specific shape used.

4.2 This practice should be referred to in a method by including a statement such as the following in the section on Reagents and Materials:

Graphite Electrodes—The electrode(s) shall be of high-purity graphite and conform to type(s) (insert designation from this method) as depicted in Practice E 130.

5. Classes

5.1 Seven classes of graphite electrodes are designated as follows:

5.1.1 *Class C—Counter Electrodes*, for use opposite the specimen or opposite the electrode that contains the specimen.

5.1.2 *Class S—Specimen Electrodes*, for use with liquid or

particulate specimens. Thin-wall cups allow faster burn off of graphite and faster consumption of the specimen. Undercut cups provide greater heating of the specimen.

5.1.3 *Class P—Specimen Electrodes*, for use with nonconducting specimens or with specimens that require a center post that tends to stabilize the excitation.

5.1.4 *Class PC—Porous Cup Electrodes*, for use with liquid specimens only.

5.1.5 *Class D—Specimen Electrodes*, of disk shape for use with liquid specimens.

5.1.6 *Class VC and VCE—Vacuum Cups and Specimen Electrodes*, consisting of a tubular graphite electrode over which is positioned a tetrafluorethylene (TFE) cup which holds a liquid specimen.

5.1.7 *Class DCP—Electrodes*, for use as anodes on direct-current plasma spectrometers.

6. Dimensions

6.1 The dimensions of the electrodes of the various classes are given in Fig. 1. Unless exceptions are indicated, the following tolerances apply:

	\pm mm	\pm in.
Outside diameter	0.05	0.002
Length	0.41	0.016
Cavity, inside diameter	0.08	0.003
Cavity, depth	0.08	0.003
Neck, outside diameter	0.13	0.005
Neck, location	0.13	0.005
Neck, length	0.13	0.005
Concentricity, total indicator reading:		
Holes under 12.7 mm (0.5 in.) deep and undercuts	0.13	0.005
Holes over 12.7 mm (0.5 in.) deep	0.25	0.010
Rotating disks, inside diameter	0.03	0.001
Rotating disks, thickness	0.13	0.005
Boiler caps, inside diameter	0.02	0.001
Porous cups, bottom thickness:		
Under 25.4 mm (1 in.) long	+0.05 -0.00	+0.002 -0.000
Over 25.4 mm (1 in.) long	+0.08 -0.00	+0.003 -0.000
Angle	$\pm 0.5^\circ$	

¹ This practice is under the jurisdiction of ASTM Committee E-1 on Analytical Chemistry for Metals, Ores and Related Materials and is the direct responsibility of Subcommittee E01.20 on Fundamental Practices.

Current edition approved Feb. 27, 1987. Published April 1987. Originally published as E 130 – 57 T. Last previous edition E 130 – 81^{ε1}.

ASTM E 130

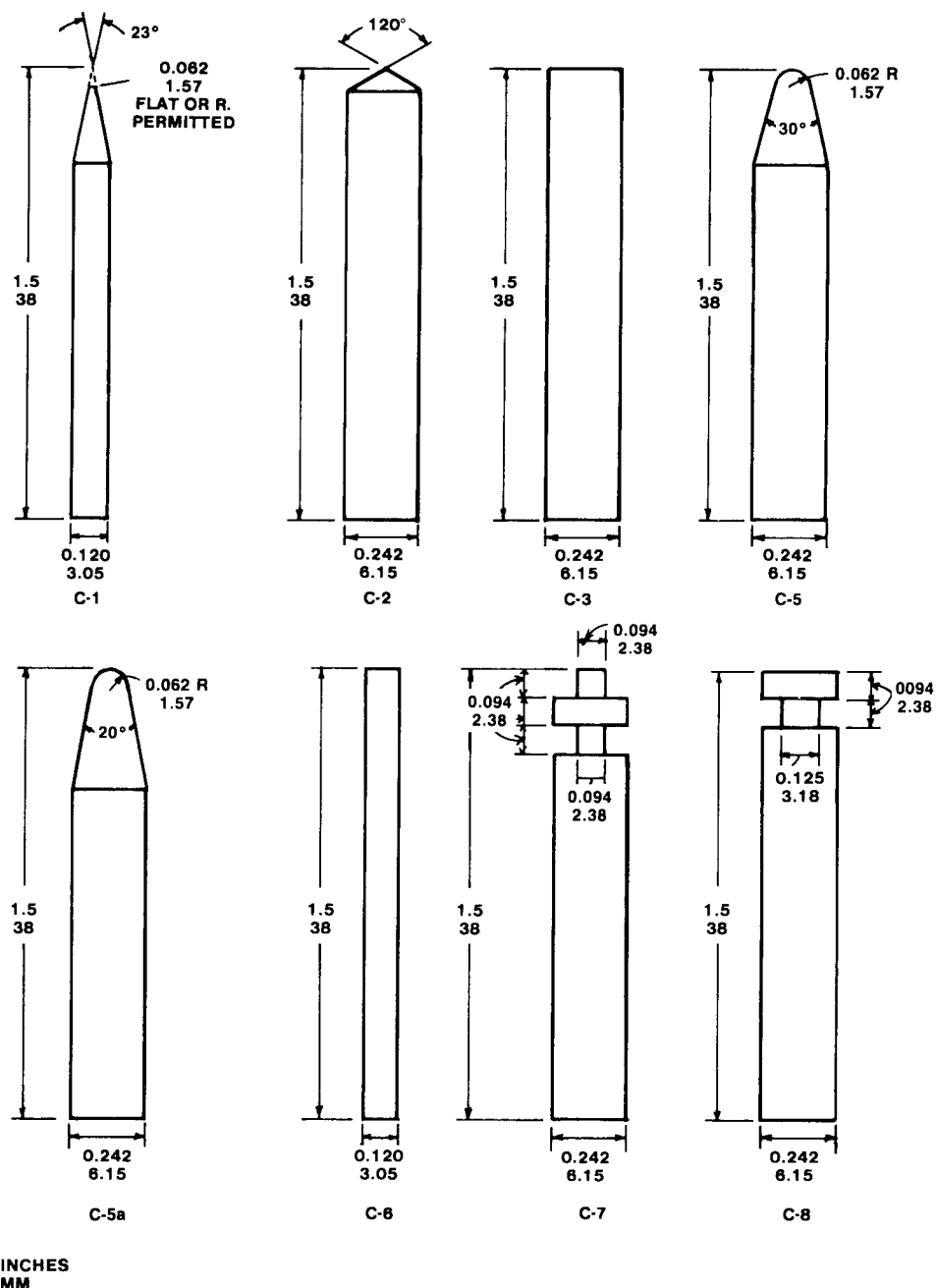


FIG. 1 Recommended Shapes and Sizes of Graphite Electrodes

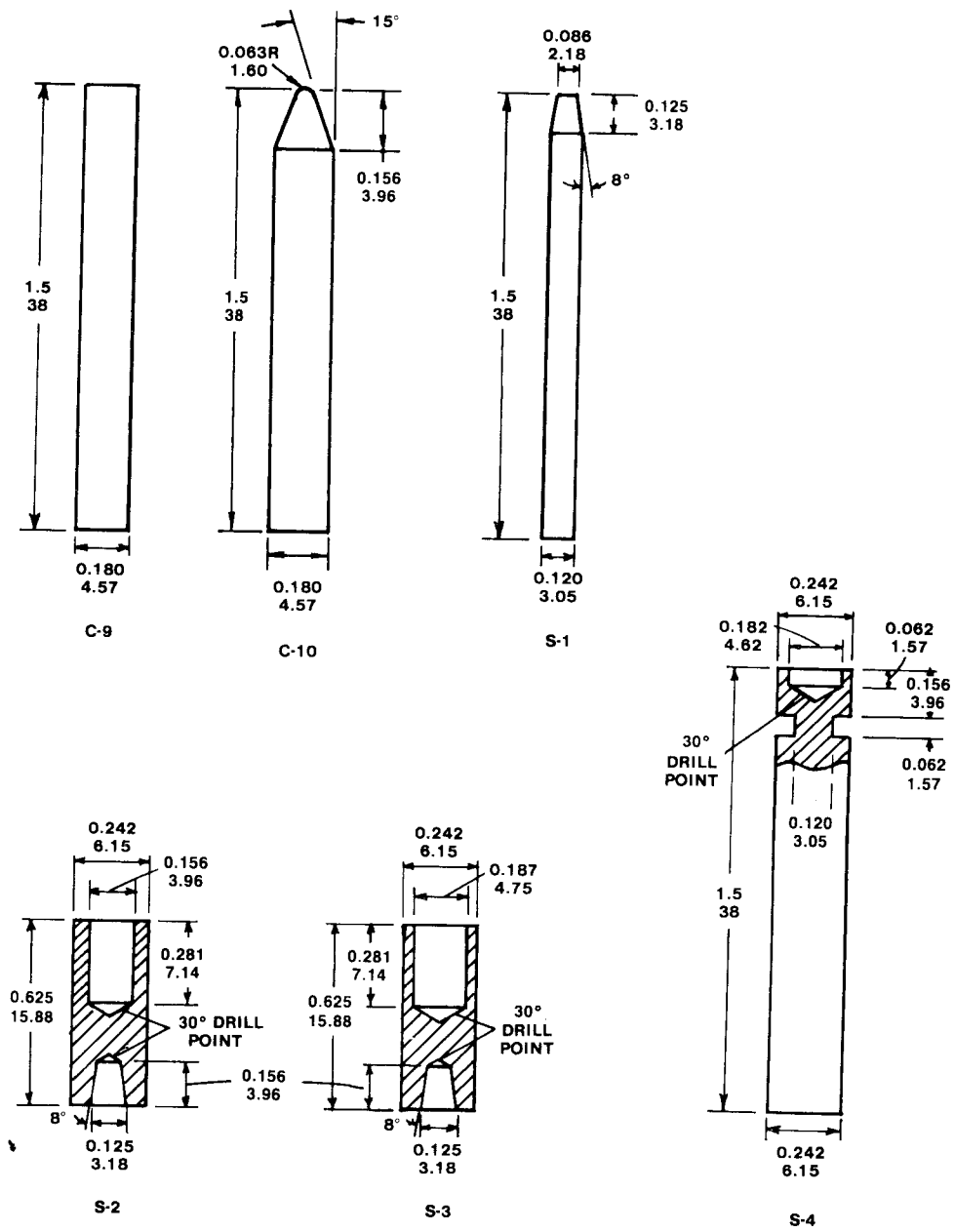
6.2 Certain methods, such as those employing carrier distillation techniques, may require closer tolerances than those specified in 6.1. The following special tolerances will be exceptions to the normal tolerances when the suffix (X) is used along with the class designation. For example, S-12(X) designates the following exceptions to the normal tolerances:

	±mm	±in.
Cavity, inside diameter	0.01	0.0005
Cavity, depth	0.05	0.002
Neck, outside diameter	0.05	0.002
Neck, location	0.08	0.003
Neck, length	0.08	0.003
Rod, outside diameter	0.03	0.001

7. Keywords

7.1 graphite electrodes; spectrographic analysis

ASTM E 130



INCHES
MM

FIG. 1 Recommended Shapes and Sizes of Graphite Electrodes (continued)

ASTM E 130

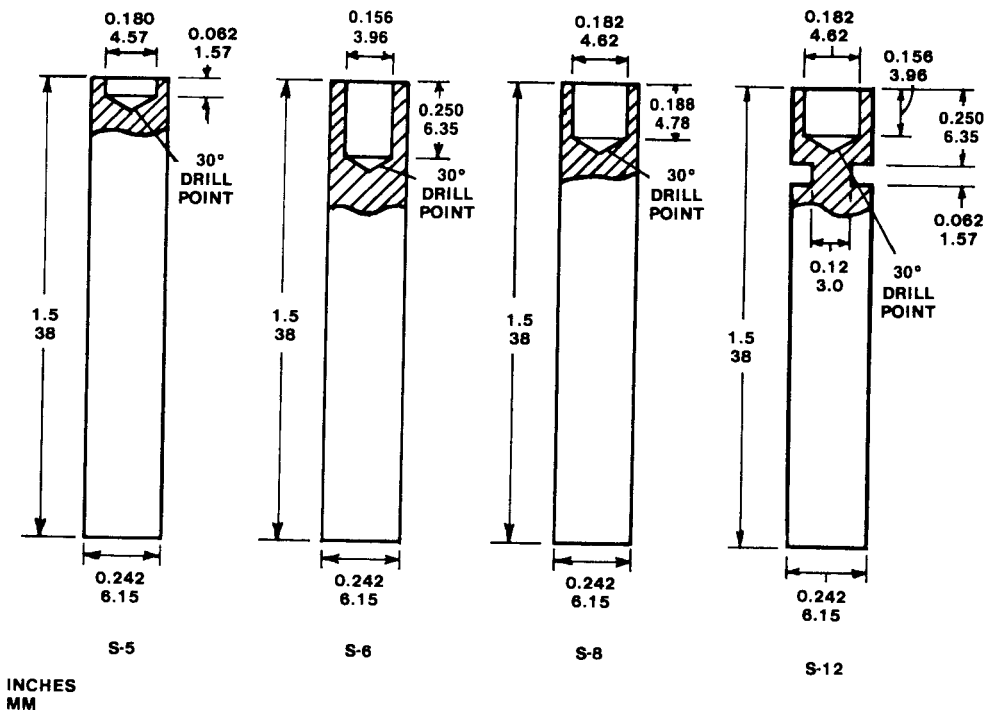


FIG. 1 Recommended Shapes and Sizes of Graphite Electrodes (continued)

ASTM E 130

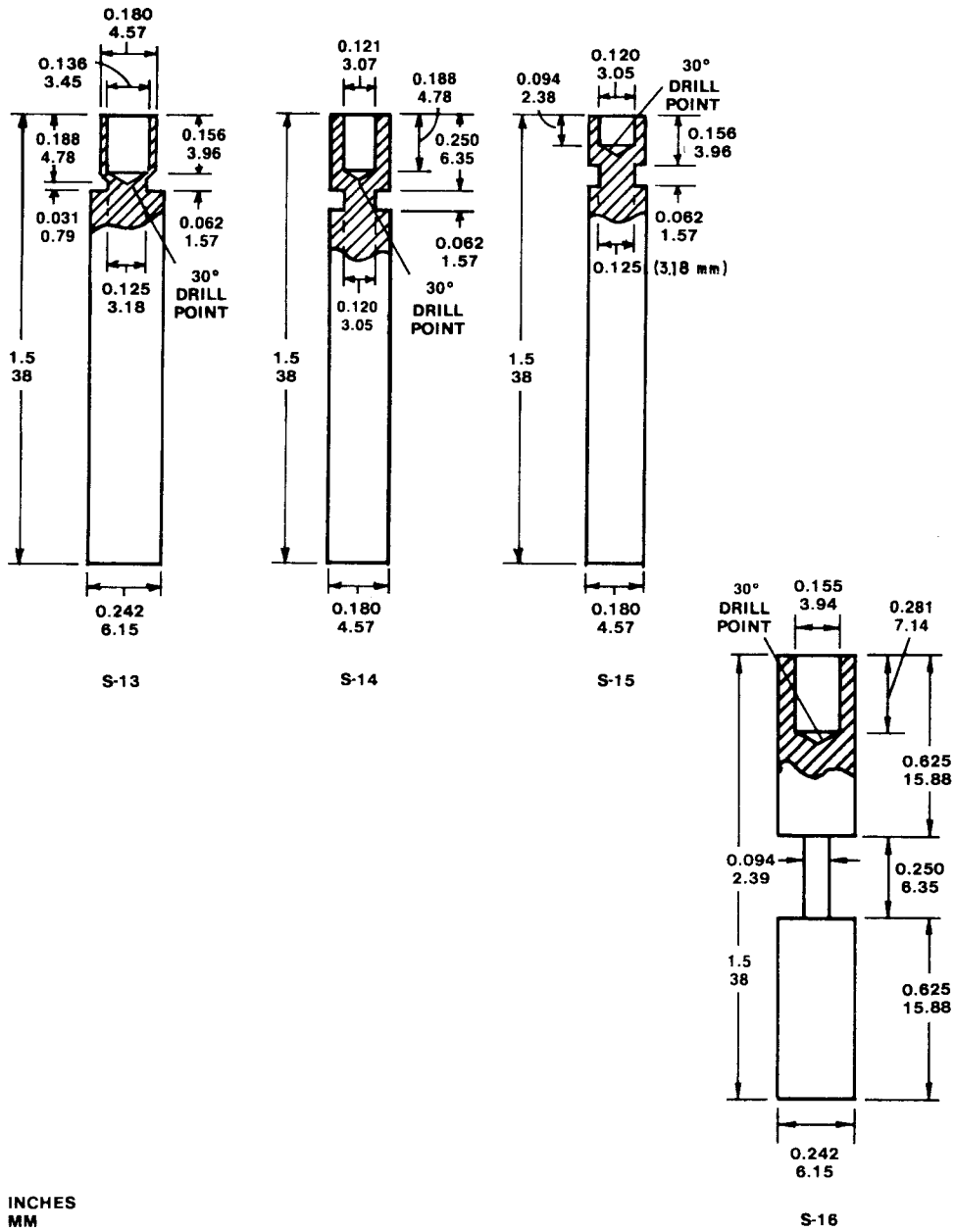
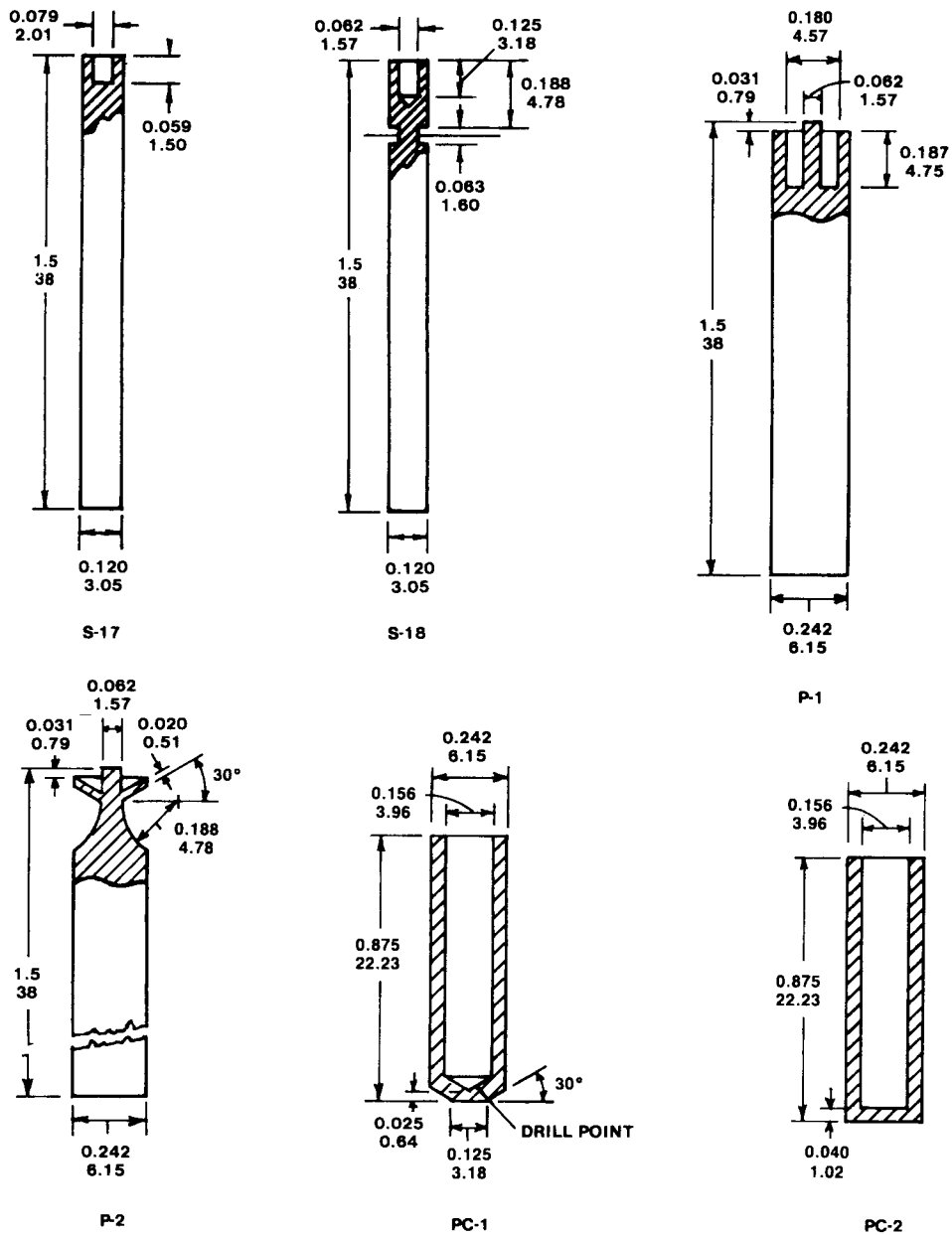


FIG. 1 Recommended Shapes and Sizes of Graphite Electrodes (continued)

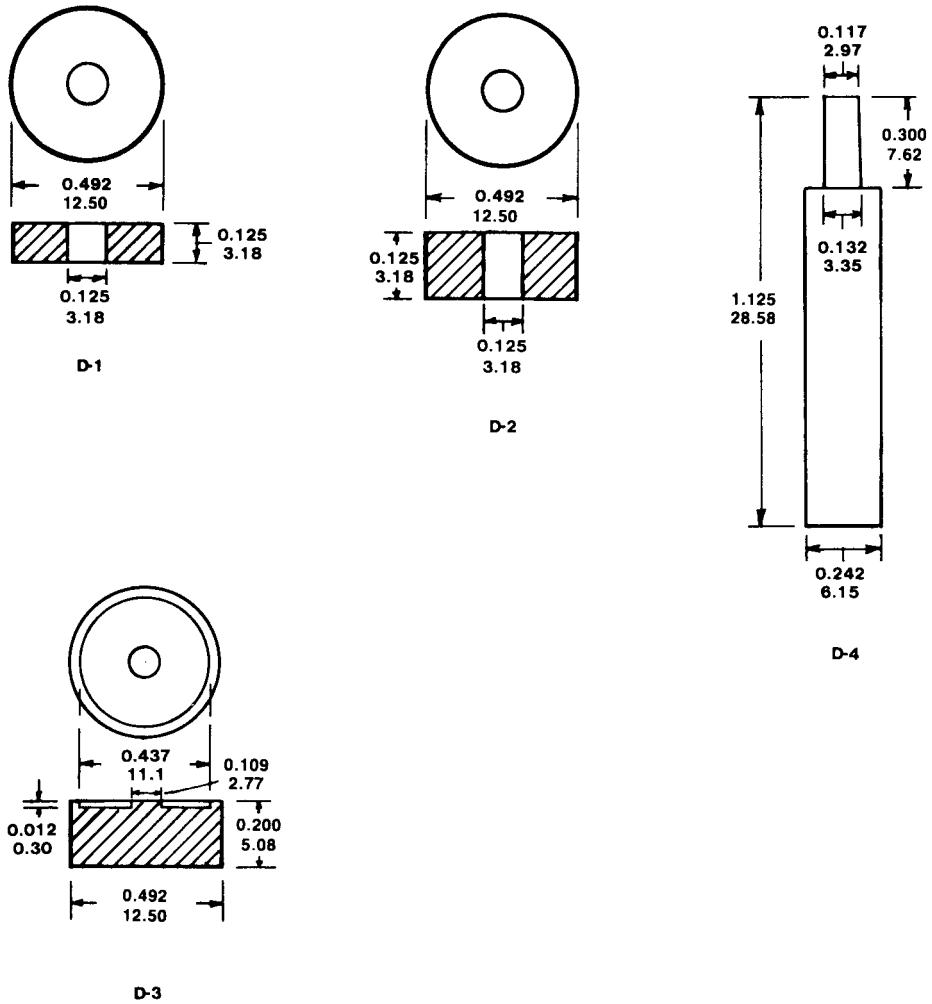
ASTM E 130



INCHES
MM

FIG. 1 Recommended Shapes and Sizes of Graphite Electrodes (continued)

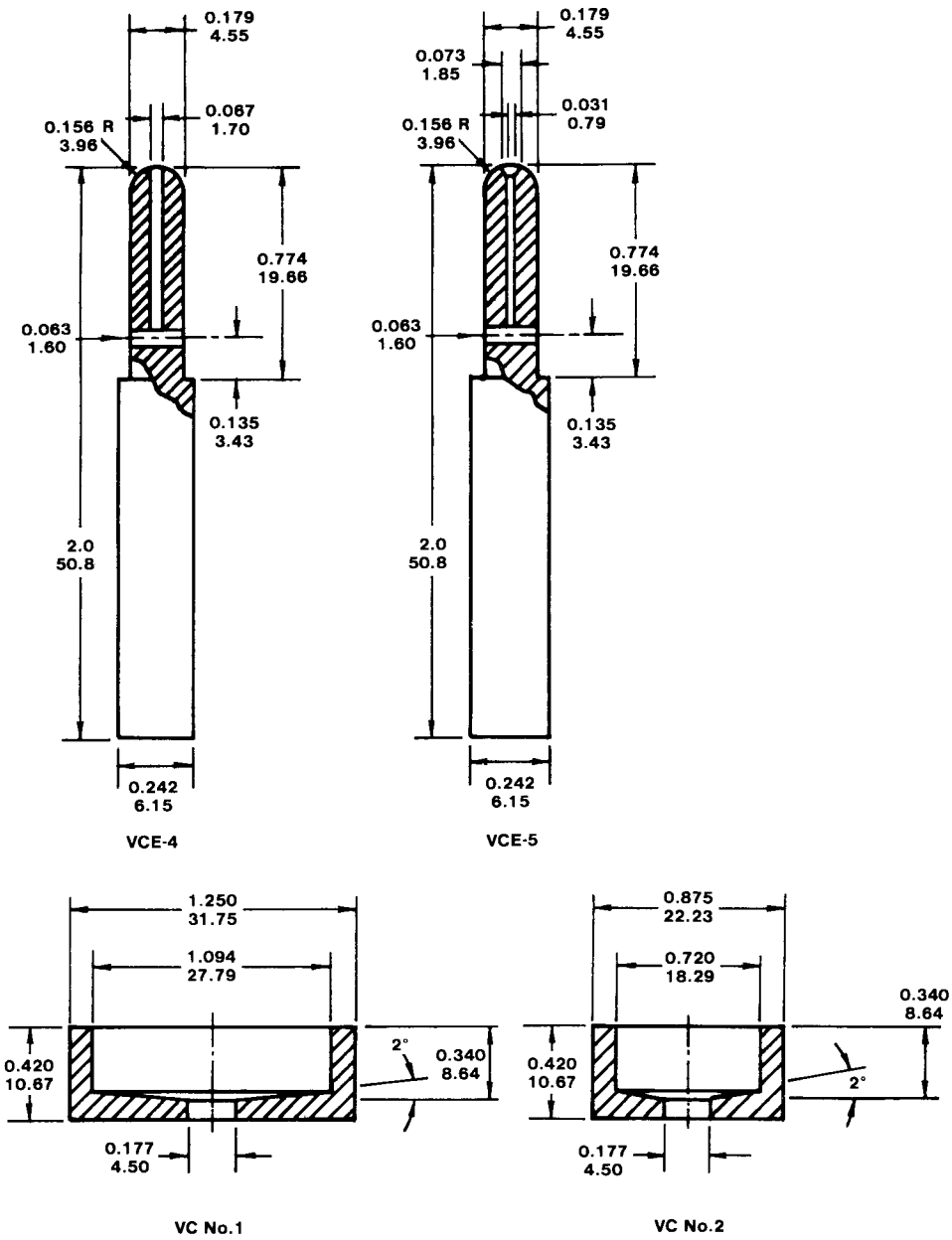
ASTM E 130



INCHES
 MM

FIG. 1 Recommended Shapes and Sizes of Graphite Electrodes (continued)

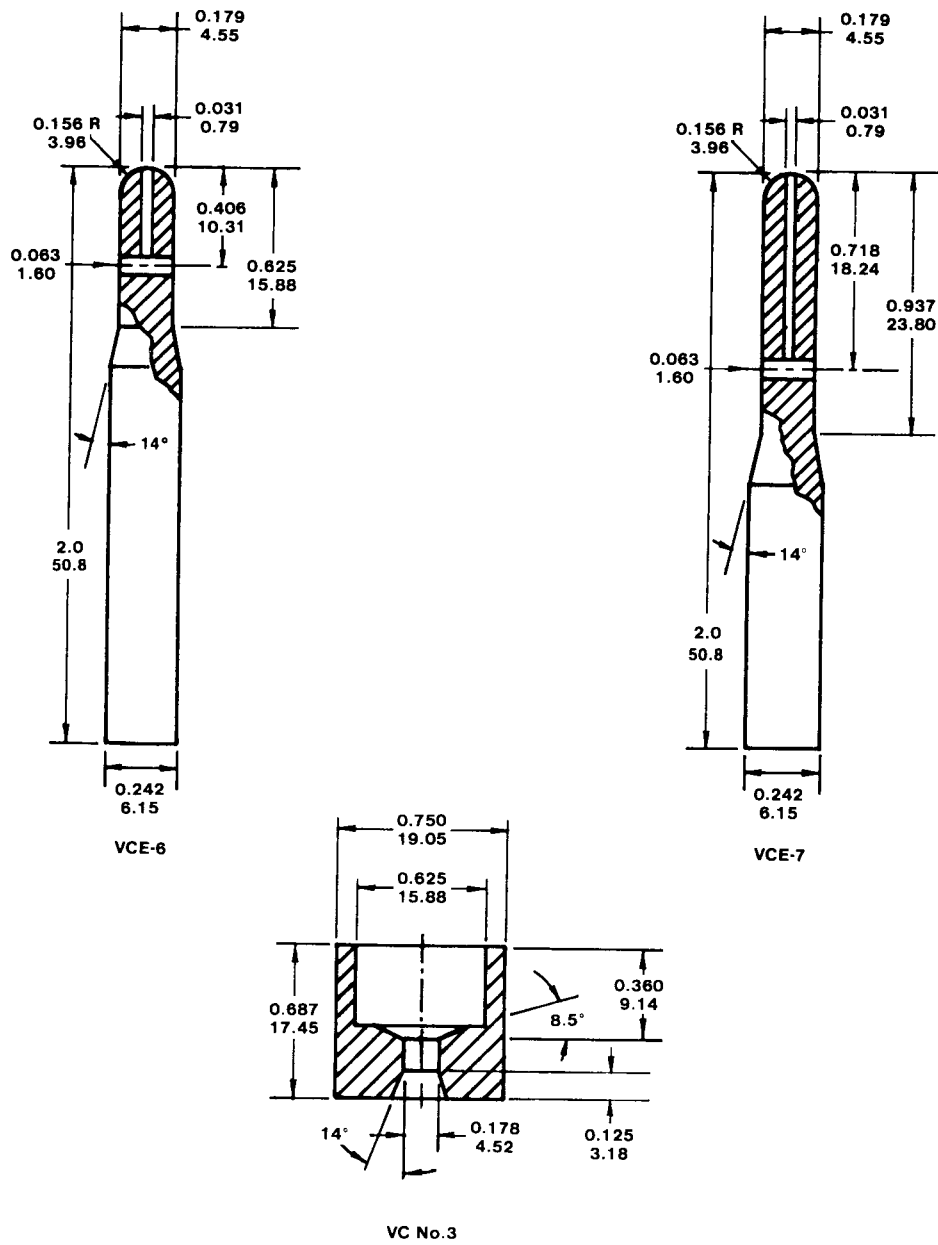
ASTM E 130



INCHES
MM

FIG. 1 Recommended Shapes and Sizes of Graphite Electrodes (continued)

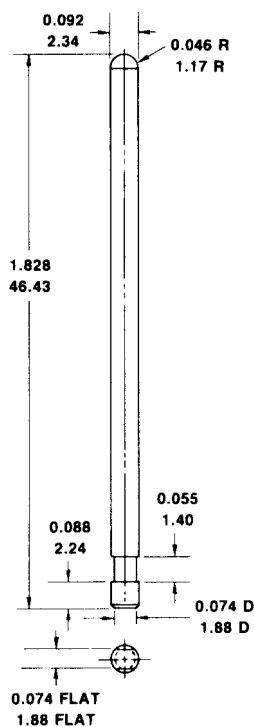
ASTM E 130



INCHES
MM

FIG. 1 Recommended Shapes and Sizes of Graphite Electrodes (continued)

ASTM E 130



DCP No. 1

INCHES
MM

FIG. 1 Recommended Shapes and Sizes of Graphite Electrodes (continued)

The American Society for Testing and Materials takes no position respecting the validity of any patent rights asserted in connection with any item mentioned in this standard. Users of this standard are expressly advised that determination of the validity of any such patent rights, and the risk of infringement of such rights, are entirely their own responsibility.

This standard is subject to revision at any time by the responsible technical committee and must be reviewed every five years and if not revised, either reapproved or withdrawn. Your comments are invited either for revision of this standard or for additional standards and should be addressed to ASTM Headquarters. Your comments will receive careful consideration at a meeting of the responsible technical committee, which you may attend. If you feel that your comments have not received a fair hearing you should make your views known to the ASTM Committee on Standards, at the address shown below.

This standard is copyrighted by ASTM, 100 Barr Harbor Drive, PO Box C700, West Conshohocken, PA 19428-2959, United States. Individual reprints (single or multiple copies) of this standard may be obtained by contacting ASTM at the above address or at 610-832-9585 (phone), 610-832-9555 (fax), or service@astm.org (e-mail); or through the ASTM website (www.astm.org).