



# Standard Test Method for Fastener Rupture and Tear Resistance of Roofing and Waterproofing Sheets, Roll Roofing, and Shingles<sup>1</sup>

This standard is issued under the fixed designation D 4932; the number immediately following the designation indicates the year of original adoption or, in the case of revision, the year of last revision. A number in parentheses indicates the year of last reapproval. A superscript epsilon ( $\epsilon$ ) indicates an editorial change since the last revision or reapproval.

<sup>ε1</sup> NOTE—Editorially switched from English dominant to SI dominant.

## 1. Scope

1.1 This test method covers the determination of the force needed to pull a fastener through any type of roofing or waterproofing ply sheet, roll roofing, or shingle, or to cause fastener failure under specified laboratory conditions.

1.2 The values stated in SI units are to be regarded as the standard. The values in parentheses are for information only.

1.3 *This standard does not purport to address all of the safety concerns, if any, associated with its use. It is the responsibility of the user of this standard to establish appropriate safety and health practices and determine the applicability of regulatory limitations prior to use.*

## 2. Referenced Documents

### 2.1 ASTM Standards:

D 226 Specification for Asphalt-Saturated Organic Felt Used in Roofing and Waterproofing<sup>2</sup>

## 3. Summary of Test Method

3.1 The force perpendicular to the fastener shank to tear the sheet or to cause fastener failure is measured with the fastener head seated and not seated (tear).

3.2 The force parallel to the fastener shank to rupture the sheet or to cause fastener failure is measured with the head seated (rupture, head pull-through).

## 4. Significance and Use

4.1 Test values for the resistance of specific ply sheets, roll roofing, or shingles to selected fastener pull-through may assist in the determination of appropriate fastener spacing. The relative behavior of different fasteners and fasteners with and without caps may be evaluated.

4.2 Laboratory data will not permit prediction of field performance, particularly long-term performance, and if all test conditions are not the same, data may not be comparable.

## 5. Apparatus

5.1 *Testing Machine*—Universal or tensile testing machine with automatic load recording equipment, capable of cross-head movement at a constant rate of 25.4 mm/min (1.00 in./min).

5.2 *Grips*—Self-aligning grips or clamps for holding the free end of the test specimen and the nailer holding jig without slippage during the test.

5.3 *Nailer Holding Jig*—100-mm (4-in.) length of cold-formed carbon steel, rectangular structural tubing with outside nominal dimensions of 102 by 51 mm (4 by 2 in.) and 4.8-mm ( $\frac{3}{16}$ -in.) wall thickness, fabricated as shown in Fig. 1.

5.4 *Wood Nailers*, 33 by 89 – 13, + 1 by 102 mm (1.5 by 3.5 – 0.5, + 0.05 by 4 in.) (nominal 2 by 4 in. lumber cut to 4 in. length is appropriate). Thirty nailers are required per sample.

NOTE 1—The wood nailers must hold the fastener securely and remain secure in the nailer holding jig during the test. The 89-mm (3.5-in.) dimension is critical for the nailer to be secure in the jig; the other dimensions are not critical and may be varied so long as the nailer works. If preferred, the operator may use continuous lengths of nailer stock up to 1 m (40 in.) long for multiple specimens as opposed to cutting separate nailers for each specimen.

## 6. Sampling and Test Specimens

6.1 Cut 15 MD specimens, 175 by 100 mm (7 by 4 in.), in the machine direction (MD) and another 15 XMD specimens in the cross-machine direction (XMD) from a representative portion of the sheet to be tested. If no particular sheet is specified, use Type 1 asphalt-saturated organic felt conforming to the requirements prescribed in Specification D 226.

6.2 Thirty fasteners of the type to be tested are required. If no particular fastener is specified, use galvanized roofing nails with a 38-mm (1½ in.) long 3.6-mm (0.1205-in.) diameter straight shank and a 9.5-mm ( $\frac{3}{8}$ -in.) diameter head.

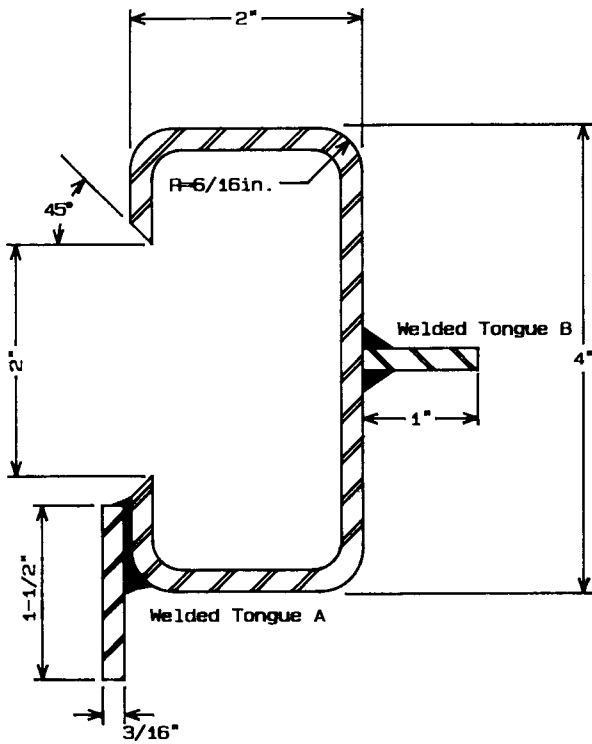
## 7. Conditioning

7.1 Condition all specimens and nailers at 20 to 25°C (68 to 77°F) and at 50 ± 5 % relative humidity for a minimum of 16 h prior to testing.

<sup>1</sup> This test method is under the jurisdiction of ASTM Committee D08 on Roofing, Waterproofing, and Bituminous Material and is the direct responsibility of Subcommittee D08.20 on Roofing Membrane Systems.

Current edition approved March 31, 1989. Published May 1989.

<sup>2</sup> *Annual Book of ASTM Standards*, Vol 04.04.



NOTE 1—Stock wall thickness is 5 mm (3/16 in.).

FIG. 1 Nailer Holding Jig, 100 mm (4 in.) Long, Cold-Formed Carbon Steel

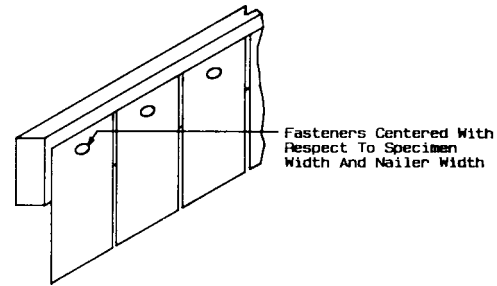


FIG. 3 Multiple Specimens Fastened to Long Nailer

between the top of the sheet and the underside of the fastener head or cap.

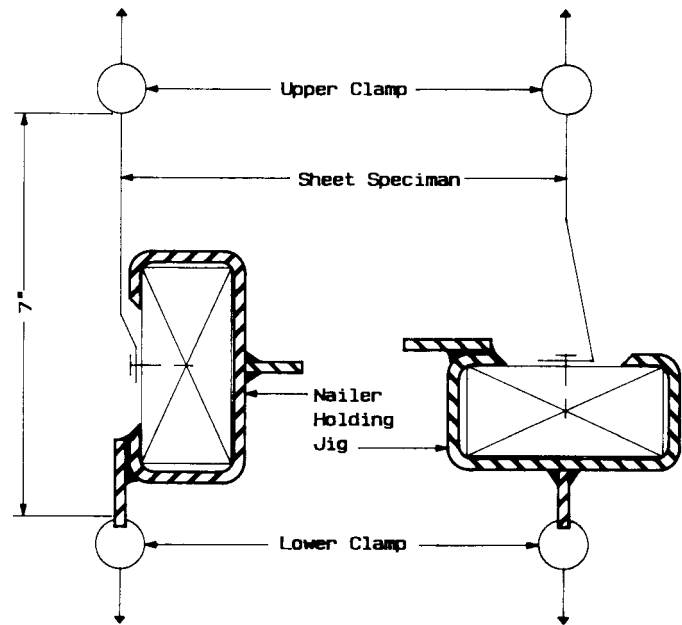
NOTE 3—A 1-mm (0.04-in.) thick feeler gage aids in establishing the gap.

8.2 Measure the shank tear resistance on five of the ten MD specimens with seated fasteners and all five with unseated fasteners; similarly measure the shank tear resistance on five of the ten XMD specimens with seated fasteners and all five with unseated fasteners, as follows:

8.2.1 Clamp the tongue on the narrow side of the nailer holding jig in the lower grip of the testing machine, and slide the nailer into the jig so that the sheet specimens are on the same side of the jig as the slot, and the long end of the specimen is on top.

8.2.2 Set the grips of the testing machine  $152 \pm 5$  mm ( $6 \pm 1/4$  in.) apart.

8.2.3 Position the nailer in the jig so that the long end of the specimen can be centered with respect to the upper grip and clamp it into the upper grip. See Fig. 4a.



a. Tear

b. Rupture

FIG. 4 Tear and Rupture Configurations at the Start of Testing

## 8. Procedure

8.1 Position each sheet specimen on a broad side of a nailer so that a 100-mm (4-in.) side of the sheet specimen is parallel to and  $20 \pm 2$  mm ( $0.75 \pm 0.125$  in.) from a 100-mm (4-in.) side of the nailer as shown in Fig. 2. Fasten each specimen to its nailer with a fastener centered in the nailer and centered with respect to the sheet width.

NOTE 2—If continuous lengths of nailers up to 1 m (40 in.) long are used, the specimens should be positioned side by side on a broad side of a nailer with a 100-mm (4-in.) side  $20 \pm 2$  mm ( $0.75 \pm 0.125$  in.) from a long side of the nailer. For each specimen the fastener should be centered with respect to the nailer width and sample width. See Fig. 3.

8.1.1 In ten of the MD specimens and ten of the XMD specimens, seat the heads of the nails firmly, but without crushing the sheet.

8.1.2 In the remaining five MD and five XMD specimens, set the heads of the fasteners with a 1-mm (0.04-in.) gap

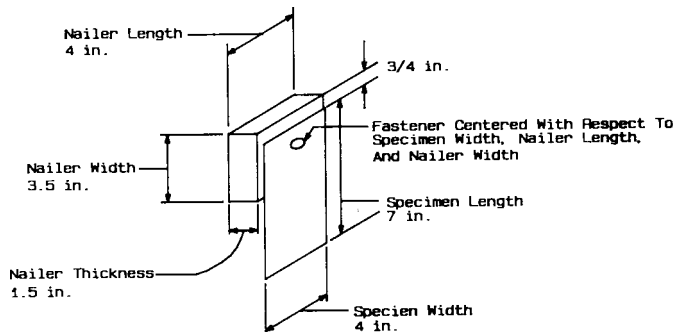


FIG. 2 Specimens Fastened to Nailer

8.2.4 Start the testing machine and move the grips apart at the rate of 25.4 mm/min (1.0 in./min).

8.2.5 Record the maximum force and the type of failure observed (shank tear or fastener failure). Reject results if the fastener pulls out of the nailer.

8.2.6 Repeat the steps described in 8.2.2 through 8.2.5 until all 20 specimens have been tested for shank tear resistance.

8.3 Measure the nail head rupture resistance on the remaining five MD and five XMD specimens with seated nails as follows (see Fig. 3):

8.3.1 Clamp the tongue on the wide side of the nailer holding jig in the lower grip of the testing machine, and slide the nailer into the jig so that the sheet specimen is on the same side of the jig as the slot.

8.3.2 Set the grips of the testing machine 152 + 5 mm (6 ± ¼ in.) apart.

8.3.3 Position the nailer in the jig so that the long end of the specimen is centered with respect to the upper grip and clamp it into the upper grip. See Fig. 4b.

8.3.4 Start the testing machine and move the grips apart at the rate of 25.4 mm/min (1.0 in./min).

8.3.5 Record the maximum force and the type of failure observed (nail head rupture of the sheet or fastener failure). Reject results if the fastener pulls out of the nailer.

8.3.6 Repeat the steps described in 8.3.2 through 8.3.5 until all ten specimens have been tested for nail head pull-through resistance.

## 9. Calculation

9.1 Calculate the mean value and an estimate of the standard deviation for each condition as follows:

$$X = \frac{\sum x}{5} \quad \text{and} \quad S = \sqrt{\frac{\sum x^2}{4} - \frac{(\sum x)^2}{20}} \quad (1)$$

where:

$X$  = mean tear or rupture resistance,

$x$  = individual test value, and

$S$  = unbiased estimate of the standard deviation.

## 10. Report

10.1 Report the following:

10.1.1 The source and complete description of the sheets and fasteners tested.

10.2 Prepare the following table:

Condition	N (lbf), Mean	Standard Deviation
Tear MD—seated fastener		
Tear MD—unseated fastener		
Tear XMD—seated fastener		
Tear XMD—unseated fastener		
Rupture MD—seated fastener		
Rupture XMD—seated fasteners		

## 11. Precision and Bias

11.1 The following criteria shall be used for the acceptability of the test results (95 % probability). The value  $X$  equals the average of two duplicate values required for tear or rupture of material in the repeatability and reproducibility intervals stated below.

11.2 *Repeatability*—Duplicate values by the same operator shall not be considered suspect unless they differ by more than the following limits for the stated conditions:

Test Condition	Repeatability Limit
Tear MD—seated fastener	0.507X
Tear MD—unseated fastener	0.314X
Tear XMD—seated fastener	0.481X
Tear XMD—unseated fastener	0.314X
Rupture MD—seated fastener	0.413X
Rupture XMD—seated fastener	0.368X

11.3 *Reproducibility*— Values reported by each of two laboratories, representing the arithmetic average of five determinations per test condition, shall not be considered suspect unless they differ by more than the following limits for the stated conditions:

Test Condition	Reproducibility Limit
Tear MD—seated fastener	0.634X
Tear MD—unseated fastener	0.529X
Tear XMD—seated fastener	0.560X
Tear XMD—unseated fastener	0.458X
Rupture MD—seated fastener	0.750X
Rupture XMD—seated fastener	0.555X

## 12. Keywords

12.1 fastener rupture; roll roofing; roofing membranes; shingles; tear resistance

*The American Society for Testing and Materials takes no position respecting the validity of any patent rights asserted in connection with any item mentioned in this standard. Users of this standard are expressly advised that determination of the validity of any such patent rights, and the risk of infringement of such rights, are entirely their own responsibility.*

*This standard is subject to revision at any time by the responsible technical committee and must be reviewed every five years and if not revised, either reapproved or withdrawn. Your comments are invited either for revision of this standard or for additional standards and should be addressed to ASTM Headquarters. Your comments will receive careful consideration at a meeting of the responsible technical committee, which you may attend. If you feel that your comments have not received a fair hearing you should make your views known to the ASTM Committee on Standards, at the address shown below.*

*This standard is copyrighted by ASTM, 100 Barr Harbor Drive, PO Box C700, West Conshohocken, PA 19428-2959, United States. Individual reprints (single or multiple copies) of this standard may be obtained by contacting ASTM at the above address or at 610-832-9585 (phone), 610-832-9555 (fax), or service@astm.org (e-mail); or through the ASTM website (www.astm.org).*