



Standard Test Method for Tumbler Test for Coke¹

This standard is issued under the fixed designation D 3402; the number immediately following the designation indicates the year of original adoption or, in the case of revision, the year of last revision. A number in parentheses indicates the year of last reapproval. A superscript epsilon (ϵ) indicates an editorial change since the last revision or reapproval.

1. Scope

1.1 This test method describes a procedure for obtaining a relative measure of the resistance to degradation of coke by impact and abrasion.

1.2 *Standard Procedure*—This procedure uses a coke sample sized to -75 mm (-3 in.) and $+50$ mm ($+2$ in.).

1.3 *Alternative Procedure*—This procedure using coke sized 50 % of 63 by 50 mm ($2\frac{1}{2}$ by 2 in.) and 50 % of 50 by 37.5 mm (2 by $1\frac{1}{2}$ in.).

1.4 The values stated in SI units shall be regarded as standard. Inch-pound units shall be accepted on an equivalent basis.

1.5 *This standard does not purport to address all of the safety problems, if any, associated with its use. It is the responsibility of the user of this standard to establish appropriate safety and health practices and determine the applicability of regulatory limitations prior to use.*

2. Referenced Documents

2.1 ASTM Standards:

D 293 Test Method for the Sieve Analysis of Coke²

D 294 Tumbler Test for Coke³

D 346 Practice for Collection and Preparation of Coke Samples for Laboratory Analysis²

D 4621 Guide for Quality Management in an Organization that Samples or Tests Coal and Coke

E 11 Specification for Wire-Cloth Sieves for Testing Purposes⁴

E 323 Specification for Perforated-Plate Sieves for Testing Purposes²

3. Summary of Test Method

3.1 A sample of dry coke of designated size is tumbled in a rotating drum at a specified turning rate for a specified number of revolutions. Two indexes of its strength, the stability factor

and the hardness factor, are determined by sieve analysis of the coke after treatment. Studies have indicated that there is no real difference in the stability factor as determined by the standard and alternative procedures. The alternative procedure produces hardness factor results averaging slightly higher than the standard procedure.

4. Significance and Use

4.1 Coke undergoes various degrees of degradation during removal from coke ovens, transportation, and its descent within a blast furnace to the combustion zone. These processes subject the coke to impact and abrasion. This test method is a relative measure of the resistance of coke to breakage when subjected to these degradation processes.

5. Apparatus

5.1 *Tumbler Machine* (see Fig. 1)—The tumbler machine consisting of a cylindrical steel drum 910 mm (36 in.) in inside diameter and 455 mm (18 in.) in inside width and made of plate at least 6 mm ($\frac{1}{4}$ in.) thick. The machine may be constructed as a double drum mounted on a common shaft so that duplicate coke samples may be tested at the same time. Two equally spaced 50 by 50 by 6-mm (2 by 2 by $\frac{1}{4}$ -in.) steel angles extending across the width of each drum are solidly fastened inside each drum as shown. These angles are fastened to the shell so that the attached legs point away from the direction of rotation, thus giving a clear unobstructed shelf for lifting the coke. At least one door must be provided in each drum for charging and discharging the coke sample. This door preferably should extend nearly across the width of each drum. As an alternative, a door in the side of the drum is permissible. During the test the door must be fastened rigidly to the shell and must fit into the shell in order to have a smooth continuous inner surface. A dust-tight gasket must be provided to prevent loss of the abraded fines during the test. To provide for rotation, the drum is mounted on stub axles about 37.5 mm ($1\frac{1}{2}$ in.) in diameter by means of flanges welded or bolted to the ends of the drum providing smooth inner surfaces. It is desirable that the apparatus be fitted with a revolution counter and preferably be equipped with an automatic device to stop the drum after the specified number of revolutions (1400). The tumbler drum must be replaced when the wear reduced the thickness to 3 mm

¹ This test method is under the jurisdiction of ASTM Committee D05 on Coal and Coke and is the direct responsibility of Subcommittee D05.15 on Plasticity and Swelling of Coal.

Current edition approved Jan. 15, 1993. Published March 1993. Originally published as D 3402 – 75. Last previous edition D 3402 – 81.

² *Annual Book of ASTM Standards*, Vol 05.05.

³ Discontinued: see 1976 *Annual Book of ASTM Standards*, Part 26.

⁴ *Annual Book of ASTM Standards*, Vol 14.02.

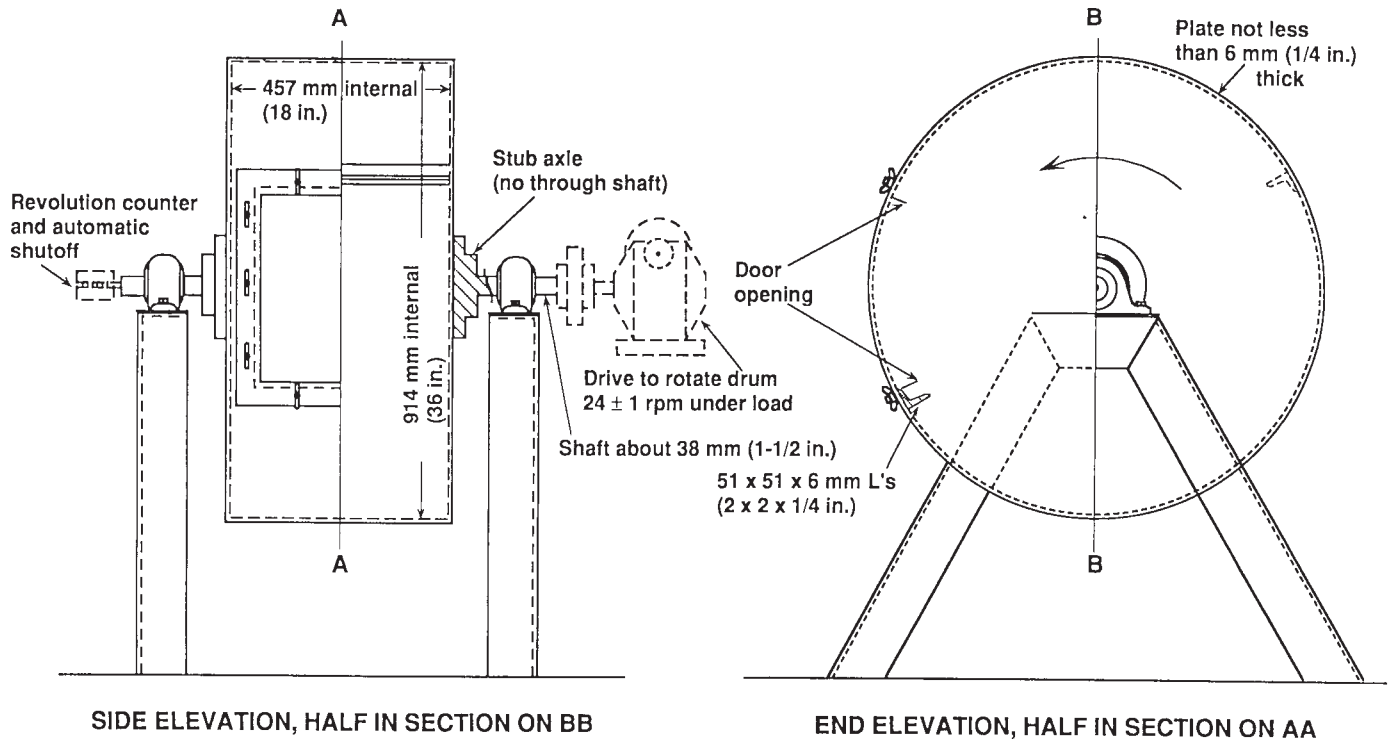


FIG. 1 Tumbler Test Apparatus

(1/8 in.) in any area. The lift angles must be replaced when they wear to less than 48 mm (1 7/8 in.).

5.2 *Sieves*, for sieving the coke before and after the tumbler test. Square-mesh sieves having 75-mm (3-in.), 63-mm (2 1/2-in.), 50-mm (2-in.), 37.5-mm (1 1/2-in.), 25-mm (1-in.), and 63-mm (1/4-in.) actual openings between the wires to be used. The sieves shall conform to Specification E 11.

NOTE 1—User's attention is called to the fact that yields of certain sizes that determine the stability and hardness factors of 75 by 50-mm (3 by 2-in.) coke cannot be compared directly with results obtained by using sieves as specified prior to the 1950 revision of Method D 294 (predecessor of D3402). The stability factor (percent remaining on 25-mm (1-in.) sieve after tumbling) will be slightly higher than comparable previous results using the formerly specified 26.5-mm (1.06-in.) sieve.

5.3 *Weighing Scale*, capable of weighing 11 kg (25 lb), sensitive to 0.025 kg (0.05 lb).

6. Sampling

6.1 The gross sample of coke shall be collected in accordance with Specification D 346.

6.2 For the standard procedure, the quantity must be sufficient to obtain approximately 34 kg (75 lb) of coke passing a 75-mm (3-in.) and retained on a 50-mm (2-in.) square-mesh sieve.

6.3 For the alternative procedure sample, the quantity must be sufficient to obtain approximately 17 kg (38 lb) of coke passing a 63-mm (2 1/2-in.) and retained on a 25-mm (1-in.) square-mesh sieve and 17 kg (38 lb) of coke passing a 50-mm (2-in.) and retained on a 37.5-mm (1 1/2-in.) square-mesh sieve.

7. Preparation of Sample

7.1 Size the standard procedure sample on 75-mm (3-in.) and 50-mm (2-in.) square-mesh sieves, without crushing the

larger pieces, in order to obtain a sample that will pass the 75-mm sieve and be retained on the 50-mm sieve. In sizing the sample, hand place to determine whether in any position a piece of coke passes the sieve. If it is necessary to crush large coke (+75 mm or +3 in.) in order to obtain sufficient coke for testing it so note in the report. Dry the coke to less than 1 % moisture.

7.2 Size the alternate procedure sample by the same procedure as described in 7.1 but obtain two fractions, 63 by 50 mm (2 1/2 by 2 in.) and 50 by 37.5 mm (2 by 1 1/2 in.).

8. Procedure

8.1 Accurately weigh to the nearest 0.025 kg (0.05 lb), 10 ± 0.25 kg (22 ± 0.5 lb) of the dried coke sample that has been sized in accordance with 7.1 or 5 ± 0.25 kg (11 ± 0.5 lb) of each of the sizes prepared in 7.2. Place the weighed sample in the drum of the tumbler machine. Rigidly fasten the cover and rotate the drum at 24 ± 1 rpm under load for a total of 1400 revolutions.

8.2 Remove all of the coke from the drum and sieve it using a 25-mm (1-in.) square-mesh sieve and a 6.3-mm (1/4-in.) square-mesh sieve. Shake the coke vigorously on the sieve in order to up-end the pieces until practically no more coke will pass through the openings (Note 2). Weigh the coke remaining on each of the sieves and the coke that passes through the 6.3-mm sieve.

NOTE 2—Mechanical sieving may be used providing it has been established that the method gives the same results as hand sieving.

8.3 If the loss in weight in any one test exceeds 0.07 kg (0.15 lb), reject that test.

9. Number of Tests

9.1 Conduct at least two tests on each coke sample.

9.2 If the difference between the weights of coke retained on either the 25 or 6.3-mm (1 or ¼-in.) sieve exceeds 0.20 kg (0.45 lb), or 2.0 units in the cumulative percentage on each sieve in the two tests, make at least one additional test and report the mean value of all tests.

10. Calculations

10.1 Calculate the stability factor to the nearest 0.1 % the percentage of coke remaining on the 25 mm (1 in.) sieve for each test as follows:

$$\text{Stability Factor, \%} = W_2/W_1 \times 100$$

where:

W_1 = total weight of coke loaded to the tumbler apparatus as described in 8.1.

W_2 = weight of coke retained on 25 mm (1 in.) sieve after tumbling as described in 8.2.

10.2 Calculate hardness factor to the nearest 0.1 % the cumulative percentage of coke remaining on the 6.3 mm (¼ in.) sieve for each test as follows:

$$\text{Hardness Factor, \%} = W_3/W_1 \times 100$$

where:

W_1 = total weight of coke loaded to the tumbler apparatus as described in 8.1.

W_3 = cumulative weight of coke retained on 6.3 mm (¼-in.) sieve after tumbling as described in 8.2.

11. Report

11.1 Report the average results for the stability factor and the hardness factor.

11.2 Specify which procedure (standard or alternative) was used to determine the stability and hardness factors.

12. Precision and Bias

12.1 *Repeatability*—The precision (repeatability) of this test method is being investigated by a task group. At this time, these values have not been determined.

12.2 *Reproducibility*—No precision statement (reproducibility) has been determined for this test method because of the impracticality of obtaining, transporting, and handling representative splits of the materials in the quantities that would be needed to establish the precision statement.

12.3 *Bias*—The lack of a reference material precludes a bias statement.

13. Keywords

13.1 abrasion; coke; degradation; hardness; impact stability; tumbler

ASTM International takes no position respecting the validity of any patent rights asserted in connection with any item mentioned in this standard. Users of this standard are expressly advised that determination of the validity of any such patent rights, and the risk of infringement of such rights, are entirely their own responsibility.

This standard is subject to revision at any time by the responsible technical committee and must be reviewed every five years and if not revised, either reapproved or withdrawn. Your comments are invited either for revision of this standard or for additional standards and should be addressed to ASTM International Headquarters. Your comments will receive careful consideration at a meeting of the responsible technical committee, which you may attend. If you feel that your comments have not received a fair hearing you should make your views known to the ASTM Committee on Standards, at the address shown below.

This standard is copyrighted by ASTM International, 100 Barr Harbor Drive, PO Box C700, West Conshohocken, PA 19428-2959, United States. Individual reprints (single or multiple copies) of this standard may be obtained by contacting ASTM at the above address or at 610-832-9585 (phone), 610-832-9555 (fax), or service@astm.org (e-mail); or through the ASTM website (www.astm.org).