



Standard Test Method for Shake Extraction of Solid Waste with Water¹

This standard is issued under the fixed designation D 3987; the number immediately following the designation indicates the year of original adoption or, in the case of revision, the year of last revision. A number in parentheses indicates the year of last reapproval. A superscript epsilon (ϵ) indicates an editorial change since the last revision or reapproval.

1. Scope

1.1 This test method covers a procedure for leaching of solid waste to obtain an aqueous solution to be used to determine the materials leached under the specified testing conditions.

1.2 This test method provides for the shaking of a known weight of waste with water of specified composition and the separation of the aqueous phase for analysis.

1.3 *This standard does not purport to address all of the safety problems, if any, associated with its use. It is the responsibility of the user of this standard to establish appropriate safety and health practices and determine the applicability of regulatory limitations prior to use.*

2. Referenced Documents

2.1 ASTM Standards:²

- C 471 Test Methods for Chemical Analysis of Gypsum and Gypsum Products
- D 75 Practice for Sampling Aggregates
- D 420 Practice for Investigating and Sampling Soil and Rock for Engineering Purposes
- D 1129 Terminology Relating to Water
- D 1193 Specification for Reagent Water
- D 2216 Test Method for Laboratory Determination of Water (Moisture) Content of Soil and Rock
- D 2234 Test Methods for Collection of a Gross Sample of Coal
- D 3370 Practices for Sampling Water
- E 122 Practice for Choice of Sample Size to Estimate a Measure of Quality for a Lot or Process

3. Terminology Definitions

3.1 For definitions of terms used in this test method, see Terminology D 1129.

¹ This test method is under the jurisdiction of ASTM Committee D34 on Waste Management and is the direct responsibility of Subcommittee D34.01.04 on Waste Leaching Techniques.

Current edition approved Oct. 21, 1985. Published March 1986. Originally published as D 3987 – 81. Last previous edition D 3987 – 81.

² For referenced ASTM standards, visit the ASTM website, www.astm.org, or contact ASTM Customer Service at service@astm.org. For *Annual Book of ASTM Standards* volume information, refer to the standard's Document Summary page on the ASTM website.

4. Significance and Use

4.1 This test method is intended as a rapid means for obtaining an extract of solid waste. The extract may be used to estimate the release of certain constituents of the solid waste under the laboratory conditions described in this procedure.

4.2 This test method is not intended to provide an extract that is representative of the actual leachate produced from a solid waste in the field or to produce extracts to be used as the sole basis of engineering design.

4.3 This test method is not intended to simulate site-specific leaching conditions. It has not been demonstrated to simulate actual disposal site leaching conditions.

4.4 The intent of this test method is that the final pH of the extract reflect the interaction of the extractant with the buffering capacity of the solid waste.

4.5 The intent of this test method is that the water extraction simulate conditions where the solid waste is the dominant factor in determining the pH of the extract.

4.6 The test method produces an extract that is amenable to the determination of both major and minor constituents. When minor constituents are being determined, it is especially important that precautions are taken in sample storage and handling to avoid possible contamination of the samples.

4.7 This test method has been tested to determine its applicability to certain inorganic components in the solid waste. The test method has not been tested for applicability to organic substances and volatile matter (see 5.3).

4.8 The agitation technique, rate, and liquid-to-solid ratio specified in the procedure may not be suitable for extracting all types of solid wastes. (See Sections 7, 8, and the discussion in Appendix X1.)

5. Apparatus

5.1 *Agitation Equipment*, of any type that rotates about a central axis at a rate of 29 r/min, Fig. 1. (See discussion of agitation in Appendix X1.)

5.2 *Membrane Filter Assembly*—A borosilicate glass or stainless steel funnel with a flat, fritted base of the same material and membrane filters.

5.3 *Containers*, round, wide-mouth, of a composition suitable to the nature of the solid waste and the analyses to be performed, and constructed of materials that will not allow

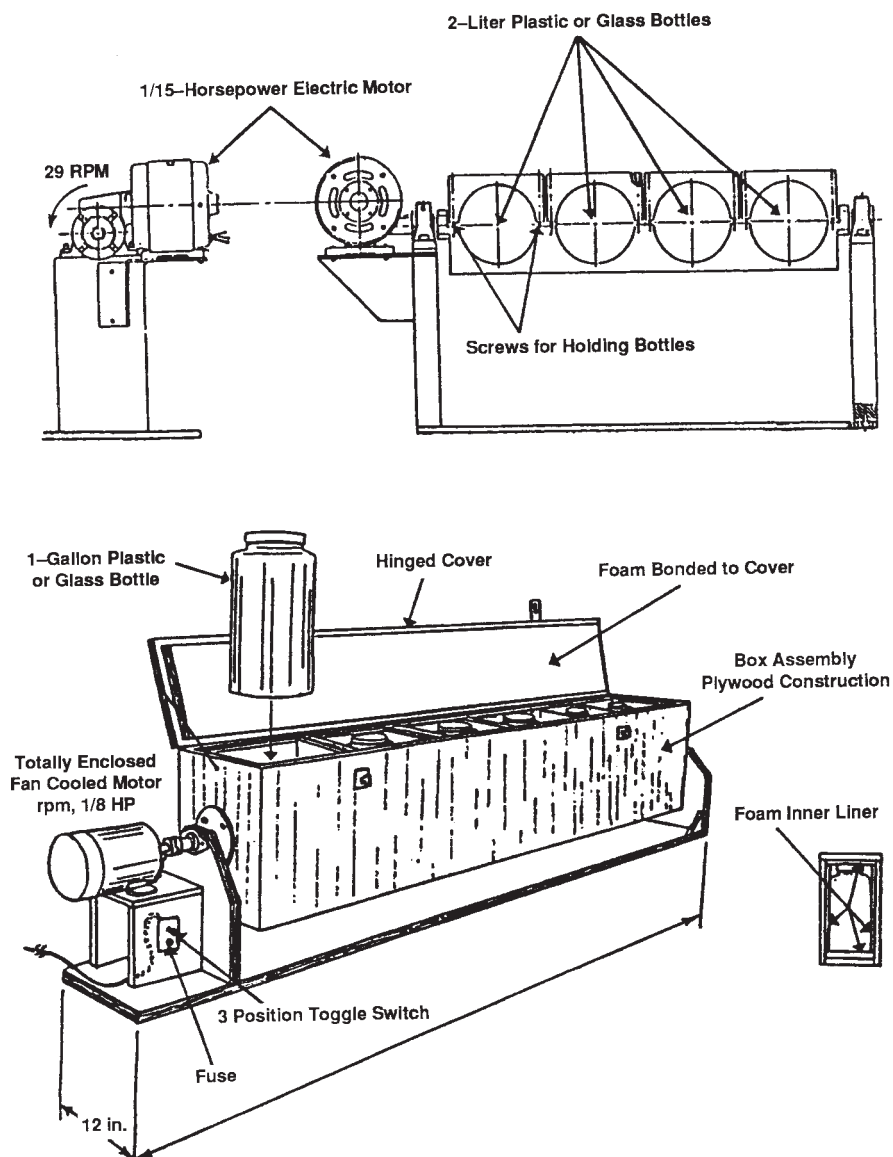


FIG. 1 Extractor

sorption of constituents of interest. One-gallon (or 4-L) containers should be used with 140-g samples and ½-gallon (or 2-L) containers with 70-g samples. Multiples of these sizes may be used for larger samples. The containers should be of the same approximate geometry as the 2-L and 4-L bottles. These sizes were selected to establish suitable geometry and provide that the sample plus liquid would occupy approximately 80 to 90 % of the container. Containers must have a watertight closure. Containers for samples where gases may be released should be provided with a venting mechanism. (Note that the venting of the container has the potential to affect the concentration of volatile extracts in the extract.) Containers should be cleaned in a manner consistent with the analyses to be performed.

6. Reagents

6.1 *Purity of Reagents*—Reagent grade chemicals shall be used in all tests. Unless otherwise indicated, it is intended that

all reagents shall conform to the specifications of the American Chemical Society, where such specifications are available,³ Other grades may be used, provided it is first ascertained that the reagent is of sufficiently high purity to permit its use without lessening the accuracy of the determination.

6.2 *Purity of Water*—Unless otherwise indicated, references to water shall be understood to mean Type IV reagent water at 18 to 27°C (Specification D 1193). The method by which the Type IV water is prepared, that is, distillation, ion exchange, reverse osmosis, electro dialysis, should remain constant throughout testing.

³ "Reagent Chemicals, American Chemical Society Specifications," Am. Chemical Soc., Washington, DC. For suggestions on the testing of reagents not listed by the American Chemical Society, see "Reagent Chemicals and Standards," by Joseph Rosin. D. Van Nostrand Co., Inc., New York, NY, and the "United States Pharmacopeia."

7. Sampling

7.1 Obtain a representative sample of the solid waste to be tested using ASTM sample methods developed for the specific industry where available. (See Practices D 75 and D 420 and Test Methods D 2234.)

7.2 Where no specific methods are available, sampling methodology for materials of similar physical form shall be used.

7.3 A minimum sample of 5000 g shall be sent to the laboratory (see Practice E 122).

7.4 It is important that the sample of the solid waste be representative with respect to surface area, as variations in surface area would directly affect the leaching characteristics of the sample. Solid waste samples should contain a representative distribution of particles sizes.

7.5 Keep samples in closed containers appropriate to the sample type prior to the extraction in order to prevent sample contamination or constituent loss. Where it is desired to extract biologically or chemically active samples in their existing state, store the samples at 4°C (Practices D 3370) and start the extraction within 8 h. Where it is desired to extract such samples in a state representative of the results of biological or chemical activities, the samples may be specifically handled to simulate such activities. Record the storage conditions and handling procedures in the report.

8. Sample Preparation

8.1 For free-flowing particulate solid wastes, obtain a sample of the approximate size required in the test by quartering the sample (Section 7) received for testing on an impermeable sheet of glazed paper, oil cloth, or other flexible material as follows:

8.1.1 Empty the sample container into the center of the sheet.

8.1.2 Flatten out the sample gently with a suitable straightedge until it is spread uniformly to a depth at least twice the maximum particle diameter particle size.

8.1.3 Remix the sample by lifting a corner of the sheet and drawing it across, low down, to the opposite corner in a manner that the material is made to roll over and over and does not merely slide along. Continue operation with each corner, proceeding in a clockwise direction. Repeat this operation ten times.

8.1.4 Lift all four corners of the sheet towards the center and holding all four corners together, raise the entire sheet into the air to form a pocket for the sample.

8.1.5 Repeat 8.1.2.

8.1.6 With a straightedge at least as long as the flattened mound of sample (such as a thin-edged yard stick), gently divide the sample into quarters. An effort should be made to avoid using pressure on the straightedge sufficient to cause damage to the particles.

8.1.7 Discard alternate quarters.

8.1.8 If further reduction of sample size is necessary, repeat 8.1.3 through 8.1.7. A minimum sample size of 70 g is recommended for each extraction. Additional samples should be provided for determination of solids content. If smaller samples are used in the test, report this fact.

8.2 For field-cored solid wastes or castings produced in the laboratory, cut a representative section weighing approximately 70 or 140 g for testing, plus samples for determination of solids content. Shape the sample so that the leaching solution will cover the material to be leached.

8.3 For fluid solid wastes, mix thoroughly in a manner that does not incorporate air to assure uniformity before withdrawing a 70 or 140 g sample for test. Take samples for determination of solids content at the same time as the test samples.

9. Procedure

9.1 Record the physical description of the sample to be tested including particle size so far as it is known.

9.2 *Solids Content*—Determine the solids content of separate portions of the sample as follows:

9.2.1 Dry to constant weight two dishes or pans of size suitable to the solid waste being tested at $104 \pm 2^\circ\text{C}$. Cool in a desiccator and weigh. Record the value to ± 0.1 g.

9.2.2 Put an appropriately sized portion of sample of the solid waste to be tested into each pan. Scale the weight used to the physical form of the solid waste tested. Use a minimum of 50 g but use larger samples where particles larger than 10-mm in average diameter are being tested. Weigh. Record the weight to ± 0.1 g.

9.2.3 Dry 16 to 20 h at $104 \pm 2^\circ\text{C}$. Certain solid wastes, such as scrubber sludges, may contain compounds that are subject to calcination at the specified drying temperature. Dry these compounds at lower temperatures. For example, gypsum may be successfully dried at 45°C (Test Methods C 471) and $\text{CaSO}_3 \cdot 1/2\text{H}_2\text{O}$ wastes at 85°C . Record the actual temperature and time of the drying period.

9.2.4 Cool to room temperature in a desiccator and reweigh. Record the weight to ± 0.1 g.

9.3 *Shake Procedure*—Weigh or tare the container to be used in the shake test to the nearest or within 1 g.

9.4 Add to the container approximately 70 g of solid waste (Section 8) and determine and record the weight of sample used to $1/2$ g. If weights other than 70 g are used, note in the report.

9.5 Add to the container a volume of test water (6.2) equal in millilitres to 20 times the weight in grams of the sample used in 9.4. See discussion of dilution ratio in Appendix (Example: 70 g sample = 1400 mL water).

9.6 Agitate continuously for 18 ± 0.25 h at 18 to 27°C .

9.7 Open the container. Observe and record any physical changes in the sample and leaching solution.

9.8 Let the sample settle for 5 min; then separate the bulk of the aqueous phase from the solid phase by decantation, centrifugation, or filtration through a coarse filter paper as appropriate. Then vacuum or pressure filter the liquid through a 0.45- μm filter. If the separation method results in prolonged filtering time, an 8- μm filter or other device may be used. Record any deviations in the report.

9.9 The filtrate obtained in 9.8 is the extract mentioned elsewhere in this test method. Measure the pH of the extract immediately, then preserve the extract in a manner consistent with the chemical analysis or biological testing procedures to be performed (Practices D 3370). If sufficient liquid phase is not available for the analyses, so indicate in the report and do

not continue the procedure; or alternatively, perform the extraction procedure on additional samples of the solid waste to obtain sufficient liquid phase. Where phase separation occurs during the storage of the extract, appropriate mixing should be used to ensure the homogeneity of the extract prior to its use in such analysis or testing.

9.10 Analyze the extract for specific constituents or properties or use the extract for biological testing procedures as desired using appropriate ASTM standard methods. Where no appropriate ASTM methods exist, other methods may be used and recorded in the report.

10. Calculation

10.1 Calculate the solids content of the individual samples from the data obtained in 9.2 as follows:

$$S = A/B \quad (1)$$

where:

A = weight in grams of sample after drying,

B = original weight in grams of sample, and

S = solid content, g/g.

Average the two values obtained. Record as the solids content.

11. Report

11.1 The report shall include the following:

11.1.1 Source of the solid waste, date of sampling, and sample preservation used,

11.1.2 Description of the solid waste including physical characteristics and particle size, if known (9.1),

11.1.3 Solids content (9.2) (see Test Method D 2216),

11.1.4 Sample weight if other than 70 g,

11.1.5 Drying time and temperature if other than 16 to 20 h at $104 \pm 2^\circ\text{C}$,

11.1.6 pH and results of specific analyses calculated in appropriate units. State analytical procedures used, and filter used if other than $0.45 \mu\text{m}$,

11.1.7 Observation of changes in test material or leaching solution recorded in 9.8.

11.1.8 Date leach testing started, preservation used for extract, and date of analysis.

12. Precision and Bias

12.1 No information is presently available as to the precision or bias of the analysis of specific constituents in the extract. It is recommended that users of this test method validate the applicability of their chosen methods of detection by spiking portions of the extract, before using these test methods for the analysis of the extract.

12.2 Based on a collaborative series of tests on five solid wastes including fly ash, cutting waste, aluminum industry waste, foundry waste, and non-ferrous foundry waste, the overall precision of this test method was improved. The above data was presented at the second ASTM D-34 Solid Waste Symposium.⁴

12.3 The precision of this test method may vary depending on the solid waste being tested and on the element being extracted.

12.4 Determination of the bias of this test method is not possible, as no standard reference material exists.

⁴Contact Dr Robert Paule, National Institute of Standards and Technology, Gaithersburg, MD 20899, on availability of a copy of this paper "Statistical Analysis and Description of Factors Affecting the ASTM Leaching Test."

APPENDIX

(Nonmandatory Information)

X1. AGITATION TECHNIQUES AND RATE, AND LIQUID/SOLID RATIOS

X1.1 While a major effort relative to development of the test method has been undertaken to determine the optimum agitation rate, equipment, and liquid/solid ratios specified in the test method, it is recognized that these variables may significantly influence the results on certain solid wastes, and that they may not be adequate for certain solid wastes, such as monolithic, solidified, or organic wastes.

X1.2 The possible effects of varying the agitation technique and rate include degree of mixing, rate of release of constitu-

ents, and particle abrasion effects. The precision of the test method may also be influenced.

X1.3 The possible effects of varying the dilution ratio include degree of mixing, rate of release of constituents (and possible concentration effects, depending on availability), and particle abrasion effects.

X1.4 Efforts are underway to develop test methods that are more suitable for use with organic, monolithic, and solidified wastes.

ASTM International takes no position respecting the validity of any patent rights asserted in connection with any item mentioned in this standard. Users of this standard are expressly advised that determination of the validity of any such patent rights, and the risk of infringement of such rights, are entirely their own responsibility.

This standard is subject to revision at any time by the responsible technical committee and must be reviewed every five years and if not revised, either reapproved or withdrawn. Your comments are invited either for revision of this standard or for additional standards and should be addressed to ASTM International Headquarters. Your comments will receive careful consideration at a meeting of the responsible technical committee, which you may attend. If you feel that your comments have not received a fair hearing you should make your views known to the ASTM Committee on Standards, at the address shown below.

This standard is copyrighted by ASTM International, 100 Barr Harbor Drive, PO Box C700, West Conshohocken, PA 19428-2959, United States. Individual reprints (single or multiple copies) of this standard may be obtained by contacting ASTM at the above address or at 610-832-9585 (phone), 610-832-9555 (fax), or service@astm.org (e-mail); or through the ASTM website (www.astm.org).