



Standard Practice for Fretting Corrosion Testing of Modular Implant Interfaces: Hip Femoral Head-Bore and Cone Taper Interface¹

This standard is issued under the fixed designation F 1875; the number immediately following the designation indicates the year of original adoption or, in the case of revision, the year of last revision. A number in parentheses indicates the year of last reapproval. A superscript epsilon (ϵ) indicates an editorial change since the last revision or reapproval.

1. Scope

1.1 This practice describes the testing, analytical, and characterization methods for evaluating the mechanical stability of the bore and cone interface of the head and stem junction of modular hip implants subjected to cyclic loading by measurements of fretting corrosion. (1-5) Two test methods described are as follows:

1.1.1 *Method I*—The primary purpose of this method is to provide a uniform set of guidelines for long-term testing to determine the amount of damage by measurement of the production of corrosion products and particulate debris from fretting and fretting corrosion. Damage also is assessed by characterization of the damage to the bore and cone surfaces.(4, 5)

1.1.2 *Methods II*—This method provides for short-term electrochemical evaluation of the fretting corrosion of the modular interface. It is not the intent of this method to produce damage nor particulate debris but rather to provide a rapid method for qualitative assessment of design changes which do not include material changes.(1-4)

1.2 This practice does not provide for judgment or prediction of in vivo implant performance, but rather, provides for a uniform set of guidelines for evaluating relative differences in performance between differing implant designs, constructs, or materials with performance defined in the context of the amount of fretting and fretting corrosion. Also, this practice should permit direct comparison of fretting corrosion data between independent research groups, and thus, provide for building of a data base on modular implant performance.

1.3 This practice provides for comparative testing of manufactured hip femoral heads and stems and for coupon type specimen testing where the male taper portion of the modular junction does not include the entire hip implant, with the taper portion of the coupon identical in design, manufacturing, and materials to the taper of the final hip implant.(4,5)

1.4 Method I of this practice has been provided in a manner to permit simultaneous evaluation of the fatigue strength of a femoral hip stem (in accordance with Practice F 1440) and the

mechanical stability and debris generated by fretting and fretting corrosion of the modular interface.

1.5 The general concepts and methodologies described in this practice could be applied to the study of other modular interfaces in total joint prostheses.

1.6 *This standard may involve hazardous materials, operations, and equipment. This standard does not purport to address all of the safety concerns, if any, associated with its use. It is the responsibility of the user of this standard to establish appropriate safety and health practices and determine the applicability of regulatory limitations prior to use.*

2. Referenced Documents

2.1 ASTM Standards:

- E 4 Practices for Force Verification of Testing Machines²
- E 466 Practice for Conducting Force Controlled Constant Amplitude Axial Fatigue Tests of Metallic Materials²
- E 467 Practice for Verification of Constant Amplitude Dynamic Loads in an Axial Load Fatigue Testing Machine²
- F 561 Practice for Retrieval and Analysis of Implanted Medical Devices and Associated Tissues³
- F 746 Test Method for Pitting or Crevice Corrosion of Metallic Surgical Implant Materials³
- F 897 Test Method for Measuring Fretting Corrosion of Osteosynthesis Plates and Screws³
- F 1440 Practice for Cyclic Fatigue Testing of Metallic Stemmed Hip Arthroplasty Femoral Components Without Torsion³
- F 1636 Specification for Bores and Cones for Modular Femoral Heads⁴
- G 3 Practice for Conventions Applicable to Electrochemical Measurements in Corrosion Testing⁵
- G 5 Reference Test Method for Making Potentiostatic and Potentiodynamic Anodic Polarization Measurements⁵
- G 15 Terminology Relating to Corrosion and Corrosion Testing⁵
- G 40 Terminology Relating to Wear and Erosion⁵
- G 61 Test Method for Conducting Cyclic Potentiodynamic

¹ This practice is under the jurisdiction of ASTM Committee F04 on Medical and Surgical Materials and Devices and is the direct responsibility of Subcommittee F04.15 on Material Test Methods.

Current edition approved April 10, 1998. Published June 1998.

² *Annual Book of ASTM Standards*, Vol 03.01.

³ *Annual Book of ASTM Standards*, Vol 13.01.

⁴ Discontinued; See 2000 *Annual Book of ASTM Standards*, Vol 13.01.

⁵ *Annual Book of ASTM Standards*, Vol 03.02.

Polarization Measurements for Localized Corrosion Susceptibility of Iron-, Nickel-, or Cobalt-Based Alloys⁵
 G 102 Practice for Calculation of Corrosion Rates and Related Information from Electrochemical Measurements⁵
 2.2 *ISO Standards:*
 ISO 7206-7 Endurance Performance of Stemmed Femoral Components Without Application of Torsion^{6,7}

3. Terminology

3.1 Definitions:

3.1.1 *corrosive wear, n*—wear in which chemical or electrochemical reaction with the environment is significant.

3.1.2 *coverage, n*—the length, parallel to the taper surface, that the bore and cone interfaces are in contact.

3.1.3 *crevice corrosion, n*—localized corrosion of a metal surface at, or immediately adjacent to, an area that is shielded from full exposure to the environment because of close proximity between the metal and the surface of another material.

3.1.4 *external circuit, n*—the wires, connectors, measuring devices, current sources, etc., that are used to bring about or measure the desired electrical conditions within the test cell.

3.1.5 *femoral head neck extension, n*—a distance parallel to the taper axis, from the nominal neck offset length (k) as defined in Specification F 1636, and the center of the head. Such variants from the nominal length are used to adjust for resection level, leg length, and so forth. A positive neck extension equates to the center of the head being located further away from the stem.

3.1.6 *fretting, n*—small amplitude oscillatory motion, usually tangential, between two solid surfaces in contact.

3.1.7 *fretting corrosion, n*—the deterioration at the interface between contacting surfaces as the result of corrosion and slight oscillatory slip between the two surfaces.

3.1.8 *fretting wear, n*—wear arising as a result of fretting.

3.1.9 *total elemental level, n*—the total weight of particulate matter and corrosion ions generated by fretting wear and fretting corrosion. Most analytical techniques are unable to accurately differentiate between ions and particulates, and therefore, total elemental level refers to all matter and corrosion products released by fretting wear and corrosion.

3.1.10 *wear, n*—damage to a solid surface, generally involving progressive loss of material, due to relative motion between that surface and a contacting substance or substances.

4. Summary of Test Method

4.1 *Method I*—The femoral stem and head components, or coupons to simulate head-taper-neck geometry, are loaded cyclically in a manner similar to that described in Practice F 1440. The head neck junction is exposed to a saline or proteinaceous solution, either by immersion of the entire device, or with a fluid containing envelope. The cyclic load is applied for a minimum of 10 million cycles. At the conclusion

of testing, the isolated fluid is withdrawn for chemical analysis for total elemental level, and characterization of particulate debris. The taper interface is subsequently disengaged and the surfaces inspected for fretting wear and corrosion using optical microscopy and scanning electron microscopy. The output of these methods is a quantitative measure of total elemental level and a qualitative evaluation of damage of the modular interface caused by fretting wear and corrosion.

4.2 *Method II*—A coupon similar to that used in Method I, or an entire femoral stem and head construct may be mounted in an inverted position in a test chamber. The chamber is filled with an electrolyte solution to a level sufficient to submerge the bore and cone interface, and a small portion of the exposed neck. The area of contact and articulation between the ball and the test apparatus is isolated from the electrolyte, either by being above the fill level, or with an elastomeric seal used to isolate the bottom of the test chamber.

4.2.1 *Procedure A*—A saturated calomel electrode with a luggin probe is used as a reference electrode to measure changes in the corrosion potential with an electrometer. A counter electrode also may be employed and the polarization characteristics measured with a potentiostat.

4.2.2 *Procedure B*—A large surface area counter electrode is immersed in the solution to simulate the area of the stem. A zero resistance ammeter is connected between the test device and the counter electrode. The difference in current, thus measured prior to and during cyclic loading represents the fretting corrosion current flowing between the modular interface (anode) and the metal sheet (cathode).

5. Significance and Use

5.1 The modular interfaces of total joint prostheses are subjected to micromotion that could result in fretting and corrosion. The release of corrosion products and particulate debris could stimulate adverse biological reactions, as well as lead to accelerated wear at the articulation interface. Methods to assess the stability and corrosion resistance of the modular interfaces, therefore, are an essential component of device testing.

5.2 Long-term in vitro testing is essential to produce damage and debris from fretting of a modular interface. (4,5) The use of proteinaceous solutions is recommended to best simulate the in vivo environment.

5.3 Short-term tests often can be useful in evaluations of differences in design during device development.(1-4) The electrochemical methods provide semiquantitative measures of fretting corrosion rates. The relative contributions of mechanical and electrochemical processes to the total corrosion and particulate release phenomena, however, have not been established; therefore, these tests should not be utilized to compare the effects of changes in material combinations, but rather be utilized to evaluate design changes of bore (head) and cone (stem) components.

5.4 These tests are recommended for evaluating the fretting wear and corrosion of modular interfaces of hip femoral head and stem components. Similar methods may be applied to other modular interfaces where fretting corrosion is of concern.

5.5 These methods are recommended for comparative evaluation of the fretting wear and corrosion of new materials,

⁶ Available from American National Standards Institute (ANSI), 25 W. 43rd St., 4th Floor, New York, NY 10036.

⁷ The bold face numbers in parentheses refers to the list of references at the end of this standard.

coatings, or designs, or a combination thereof, under consideration for hip femoral head and neck modular interfaces. Components for testing may be those of a manufactured modular hip device (finished product) or sample coupons, which are designed and manufactured for simulation of the head, taper, and neck region of a modular hip device.

6. Apparatus

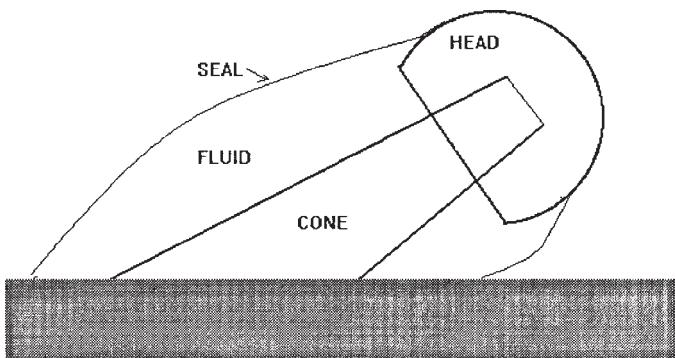
6.1 Testing Machines— The action of the machine should be analyzed to ensure that the desired form and periodic force amplitude is maintained for the duration of the test (see Practice E 467). The test machine should have a load monitoring system, such as the transducer mounted in line with the specimen. The loads should be monitored continuously in the early stages of the test and periodically thereafter to ensure the desired load cycle is maintained. The varying load as determined by suitable dynamic verification should be maintained at all times to within $\pm 2\%$ of the maximum force being used in accordance with Practices E 4 and E 466.

6.2 Specimen Mounting Devices, Method I—Modular hip and stem components shall be set-up as described in Practices F 1440. Coupon samples shall be set-up as shown in Fig. 1. The set-up must provide for identical loading geometry as that in Practice F 1440.

6.3 Specimen Mounting Devices, Method II—Modular hip and stem components shall be set-up in an inverted position, as shown in Fig. 2. Coupon samples may be set up as shown in Fig. 1, or in an inverted orientation.

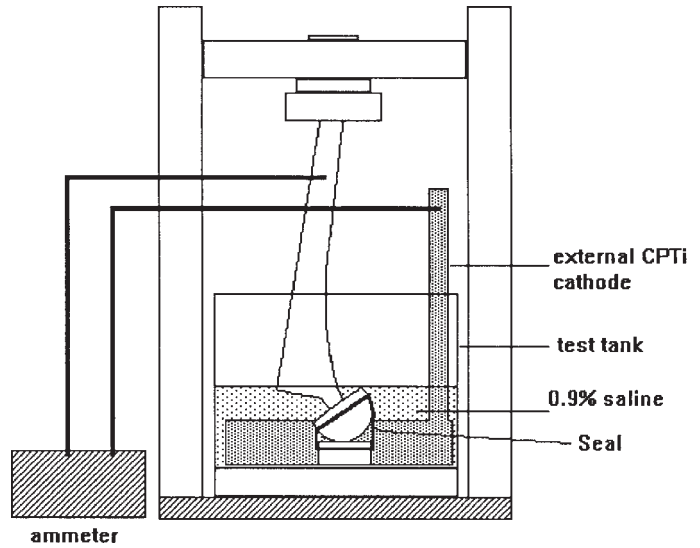
6.4 Environmental Containment, Method I—The prosthesis may be placed in an environmental chamber, which is filled with the appropriate fluid. Care should be taken to ensure that the contact area between the head and the low friction thrust bearing is not exposed to the electrolyte solution. The modular interface of the prostheses or coupon samples also may be enclosed in an elastomeric sleeve, which contains the electrolyte. The materials used for such isolation must be nonreactive and capable of retaining the fluid environment, (that is, prevent leakage), throughout the course of testing. The volume of the chamber shall be between 5 and 100 mL.

NOTE 1—The use of small fluid volumes with the sleeve containment



NOTE 1—For Method I, the fluid is contained within the sleeve. For Method II, the device should be submerged in an electrolyte while the contact area between the top of the head and the loading apparatus is not exposed to the fluid. A counter electrode is placed in the same bath.

FIG. 1 Sketch of a Coupon Style of Test Specimen



NOTE 1—The cathode sheet surrounds, but does not make contact with the device being tested. For Procedure A, the counter electrode is not utilized, and is substituted with a luggin probe and calomel electrode.

FIG. 2 Suggested Set Up for Method II Procedure B, Measurements of Fretting Corrosion Currents of a Complete THR

method may not produce as much fretting corrosion as full prosthesis exposure, due to the reduced surface area of the cathodic metal exposed.

6.5 Environmental Chamber, Method II—The chamber shall be filled with electrolyte so as to submerge the modular interface. An elastomeric seal is used to isolate the contact area between the head and the load application surface. Similar seals should be employed for coupon sample testing. For coupons orientated shown in Fig. 1, the chamber fill level shall be kept below the articulation between the head and the loading apparatus.

6.6 Counter and Reference Electrodes, Method II—A counter electrode is included in the external circuit of Method II to act as a cathode for measurement of corrosion currents. A reference electrode is employed for measurement of the corrosion potential of the specimen.

6.6.1 Method II, Procedure A—The counter electrode and saturated calomel electrode (SCE) shall be employed in accordance with Test Methods G 5 and G 61.

6.6.2 Method II, Procedure B—The counter electrode is used to simulate the surface area of the femoral stem. It should be made of the same alloy as the stem material being tested. A surface area at least equal to the stem and any porous coating should be employed. An area of 400 cm² is recommended. The counter electrode should not be in contact with the test specimen, but rather is connected to it via the zero resistance ammeter.

6.7 Potential and Current Measuring Equipment, Method II, Procedure A—The potential shall be measured by a high impedance voltmeter. This could either be a free standing electrometer with an impedance $> 10^{10} \Omega$, or the electrometer in a potentiostat in accordance with Test Methods G 5 and G 61. The potentiostat is used to measure current in potentiostatic or cyclic polarization tests, using the sign conventions of Practice G 3. The use of a printer provides a permanent record.

6.8 *Current Measurement Equipment, Method II, Procedure B*—A zero resistance ammeter is used to measure current in Procedure B. The output of the ammeter should be connected to a recording oscilloscope, strip chart recorder, or computer capable of recording the high frequency components of the current signal.

NOTE 2—Special precautions may be necessary to protect the electronics from vibrations generated by the loading apparatus.

7. Reagents

7.1 *Electrolyte Solutions*, of 0.9 % NaCl in distilled water, are used for immersion of modular interface. These solutions provide useful information for comparative studies between designs.

7.2 *Protienaceous Solutions*, consisting of 10 % solution of calf serum in 0.9 % NaCl in distilled water, are used as an environment for studies where actual damage mechanisms are of interest. These solutions also would be employed in comparative studies of different alloy systems. The use of proteins is associated with the risk of microbial contamination. It is recommended that these tests be conducted under sterile conditions. The use of low dose antimicrobials for long term tests is indicated, as well.

8. Test Specimen

8.1 *Modular Hip Devices*—The hip components shall be representative of typical manufactured components; no extraordinary procedures for manufacturing, quality control and assurance, and inspection shall be used. Whenever possible, the size of the hip shall conform to the medium size of a given range of sizes. The length of the femoral head offset shall be the maximum, typical of the hip stem being offered, or the maximum length offered within the product catalogue for the tested stem-taper component. In the case of hip products manufactured by different sources where availability of specific components is limited, (for example, hip stem size, femoral head off-set, etc; comparative testing shall be performed so as to identically match total head off-set, neck angle and extension. In other words, if two different hip components are to be tested, every effort shall be made to test components that would fulfill the specific needs of a given patient. This is due to the fact that there are many different systems for sizing femoral stem and head components, and they are specific to the manufacturer and design of the hip implant device.

8.2 *Sample Coupons*— Sample coupons shall be designed and manufactured to replicate the taper-head-neck region of a hip prosthesis. An example of such sample coupons is given in Fig. 1. Taper angles and dimensions, with specific references to the critical areas of design, shall be in accordance with Specification F 1636. The methods of machining and finishing of the taper surfaces shall be the same as that used for production prostheses.

8.3 *Number of Test Specimens*—Except in the case of product testing, in which component availability may be limited, at least five samples shall be tested for each configuration under evaluation.

9. Procedure

9.1 Test Method:

9.1.1 The head-taper components shall be assembled in accordance with Practice F 1440, or using standard interoperative surgical protocol for assembly of modular hip devices.

9.1.2 The modular components shall be assembled dry. Apply a single static load to 2000 N, as per head pull off test.

9.1.3 The modular interface shall be exposed to the test solution in accordance with 6.4.

9.1.4 Cyclic testing of modular interface shall be carried out as prescribed by Practice F 1440.

9.1.5 Apply a cyclic load of 3 kN with a minimum load of 300 N and a maximum load of 3.3 kN (67 to 740 lbs), in accordance with ISO 7206-7. Tests should be conducted at a frequency of 5 Hz, and be terminated after 10 million cycles.

9.1.6 At the completion of the test, collect the fluid for analysis of total metal content and particle characterization. The procedures for chemical analysis and particle harvesting given in Practice F 561 can be used as guide. The fluid shall be reserved in a clean container suitable for subsequent dilution and digestion.

9.1.7 The taper-head components which shall be disassembled in a manner so as to reserve any entrapped fluids and particulate debris, which may include flushing of the interface region with DI water. All collected fluids and debris shall be collected in a common container for subsequent analysis or subsequent digestion prior to chemical analysis. Particles generated in protienaceous solutions may need protein digestion as described in Practice F 561 to prevent agglomeration of particulate debris.

9.1.8 Analyze for all major elements in the alloys, using Practice F 561 as a guide. Qualitative evaluation of taper surfaces should done by optical microscopy and scanning electron microscopy. In cases where the weight of the coupon specimens is small enough, weight loss of the specimens may be made by microbalance in accordance with Test Method F 897.

9.2 Test Method II, Procedure A:

9.2.1 Mount the specimen and apply a cyclic load as described above.

9.2.2 Load ranges as directed in 9.1.5 may be used. Since this is not a simulation test, lower load ranges are recommended. Apply cyclic loads of 2000 N, with a minimum of 40 N and a maximum of 2040 N.

9.2.3 To best characterize the electrochemical components of fretting corrosion, a frequency of 1 Hz is recommended.

9.2.4 Monitor the potential change over time, relative to a saturated calomel electrode, in accordance with Practice G 3 and Test Method G 5. Terminate the tests when the potential reaches a stable value.

9.2.5 Potentiostatic measurements of current may be performed using a potentiostat.

9.2.6 Potentiodynamic measurements may be made, in the absence of cyclic loading, as directed in Test Methods F 746 and G 61.

9.3 Test Method II, Procedure B:

9.3.1 Assemble the components and apply a cyclic load, as above described in 9.2.1-9.2.6

9.3.2 Load ranges as directed in 9.1.5 may be used. Since this is not a simulation test, lower load ranges are recommended. Apply cyclic loads of 2000 N, with a minimum of 40 N and a maximum of 2040 N.

9.3.3 To best characterize the electrochemical components of fretting corrosion, a frequency of 1 Hz is recommended.

9.3.4 Measure the fretting corrosion current with a zero resistance ammeter. Record the currents as directed in 6.8.

9.3.5 Periodic measurement of the peak to peak currents can be utilized to quantitate the amount of fretting corrosion. Measurements taken at 3, 8.3, 15, and 30 min, at a loading frequency of 2 Hz, to produce data points at 360, 1000, 1800, and 3600 cycles are recommended.

9.3.6 Simultaneous measurement of potential also may be made, but the connection to the ammeter and counter electrode will result in different values than those observed with Procedure A.

9.4 *Optional Test Procedures*—Additional measurements, such as relative micromotion between the interfaces may provide useful information.

10. Calculation

10.1 *Test Method I*—The total amount of metal release can be calculated by multiplying the concentration of measured species times the total fluid volume.

10.1.1 The test results shall be reported for each of the elements potentially present in the collected solutions.

10.1.2 Total weight loss would be the sum of the amount of each of the major elements.

10.2 *Test Method II, Procedure B*—These electrochemical methods only provide a qualitative measure of the amount of

damage produced. The amount of metal released due to electrochemical corrosion can be calculated using Faraday's law, as provided in Practice G 102. These calculations, however, will need validation by elemental analysis in tests of mixed metal devices.

11. Report

11.1 Report the following information:

11.1.1 *Modular Hip Components*—When available, the materials, manufacturer, catalogue number, size, head off-set length, taper dimensions in accordance with Specification F 1636.

11.1.2 *Coupons or Simulated Head-Taper Neck*—The materials, head off-set length, extension, and geometry and dimensions, degree of coverage, and surface finish.

11.1.3 The details of the test protocols, test solutions, length of testing, and methods of disassembly.

11.1.4 The type and quantities of fluids used for dilution, flushing of disengaged components, and digestion of elemental particles.

11.1.5 Representative scanning electron or optical photographs of the taper interfaces for the untested and tested components.

12. Precision and Bias

12.1 The precision and bias of this practice has not yet been established.

13. Keywords

13.1 bore and cone; debris; fretting corrosion; modular total hips

APPENDIX

(Nonmandatory Information)

X1. RATIONALE

X1.1 The use of modular designs for total joint replacement provides many advantages; however, the modular interfaces are subjected to micromotion that could result in fretting and corrosion. The release of corrosion products and particulate debris could stimulate adverse biological reactions, as well as lead to accelerated wear of the articulation; therefore, methods to assess the stability and corrosion resistance of the modular interfaces are an essential component of device testing.

X1.2 Short-term comparative tests of the effects of design variables can be conducted in physiological saline solutions, such as 0.9 % NaCl. Long term in vitro testing is essential to produce damage and debris from fretting of a modular interface. In order to simulate the in vivo conditions as close as possible, these tests should be conducted in electrolyte solutions containing proteins.

X1.3 Chemical analysis of the test solutions from long-term

tests are recommended as a method to determine total amount of corrosion.(4,5) Determination of damage by measurements of weight loss is impracticable due to the large mass of the total joint prosthesis. Analysis of particles can produce information regarding the fretting process, but quantification by this practice is imprecise, since some particles may have corroded during the test. Chemical analysis also can be useful in determinations of the contributions of the two components in mixed alloy systems.

X1.4 Short-term tests often can be useful in evaluations of differences in design during device development.(1,2,4) The electrochemical methods provide semiquantitative measures of fretting corrosion rates; however, the relative contributions of mechanical and electrochemical processes to the total corrosion and particulate release phenomena have not been established.

REFERENCES

- (1) Flemming, C.A.C., Brown, S.A., and Payer, J.H., "Mechanical Testing for Fretting Corrosion of Modular Total Hip Tapers," *Symposium on Biomaterials, Mechanical Properties, ASTM STP 1173*, ASTM, 1994, p. 156.
- (2) Brown, S.A., Abera, A., D'Onofrio, M., and Flemming, C., "Effects of Neck Extension and Coverage, and Frequency on Fretting Corrosion of Modular THR Bores and Cone Interface," *Symposium on Modularity of Orthopedic Implants, ASTM STP 1301*, ASTM, 1997, p. 189.
- (3) Winkler-Gniewek, W., and Ungethum, M., "Untersuchung der Reibkorrosion an mehreteiligen Spezialendoprothesen unter Berücksichtigung der Werkstoffkombination" (An Investigation of Frictional Corrosion Concerning Special Multiple Component Prostheses With Regard to the Material Combination) *Biomed. Technik* 28, 160-167, 1993.
- (4) Goldberg, J.R., Buckley, C.A., Jacobs, J.J., and Gilbert, J.L., "Corrosion Testing of Modular Hip Implants," *Symposium on Modularity of Orthopedic Implants, ASTM STP 1301*, ASTM, 1997, p. 157.
- (5) Jani, S. C., Sauer, W. L., McLean, T. W., Lambert, R. D., Kovacs, P., "Fretting Corrosion Mechanisms at Modular Implant Interfaces," *Symposium on Modularity of Orthopedic Implants, ASTM STP 1301*, ASTM, 1997, p. 261.

ASTM International takes no position respecting the validity of any patent rights asserted in connection with any item mentioned in this standard. Users of this standard are expressly advised that determination of the validity of any such patent rights, and the risk of infringement of such rights, are entirely their own responsibility.

This standard is subject to revision at any time by the responsible technical committee and must be reviewed every five years and if not revised, either reapproved or withdrawn. Your comments are invited either for revision of this standard or for additional standards and should be addressed to ASTM International Headquarters. Your comments will receive careful consideration at a meeting of the responsible technical committee, which you may attend. If you feel that your comments have not received a fair hearing you should make your views known to the ASTM Committee on Standards, at the address shown below.

This standard is copyrighted by ASTM International, 100 Barr Harbor Drive, PO Box C700, West Conshohocken, PA 19428-2959, United States. Individual reprints (single or multiple copies) of this standard may be obtained by contacting ASTM at the above address or at 610-832-9585 (phone), 610-832-9555 (fax), or service@astm.org (e-mail); or through the ASTM website (www.astm.org).