



Standard Test Method for Flexural Strength of Advanced Ceramics at Elevated Temperatures¹

This standard is issued under the fixed designation C 1211; the number immediately following the designation indicates the year of original adoption or, in the case of revision, the year of last revision. A number in parentheses indicates the year of last reapproval. A superscript epsilon (ϵ) indicates an editorial change since the last revision or reapproval.

1. Scope*

1.1 This test method covers determination of the flexural strength of advanced ceramics at elevated temperatures.² Four-point- $1/4$ point and three-point loadings with prescribed spans are the standard. Rectangular specimens of prescribed cross-section are used with specified features in prescribed specimen-fixture combinations.

1.2 The values stated in SI units are to be regarded as the standard. The values given in parentheses are for information only.

1.3 *This standard does not purport to address all of the safety concerns, if any, associated with its use. It is the responsibility of the user of this standard to establish appropriate safety and health practices and determine the applicability of regulatory limitations prior to use.*

2. Referenced Documents

2.1 ASTM Standards:

- C 1161 Test Method for Flexural Strength of Advanced Ceramics at Ambient Temperature³
- C 1239 Practice for Reporting Uniaxial Strength Data and Estimating Weibull Distribution Parameters for Advanced Ceramics³
- C 1322 Practice for Fractography and Characterization of Fracture Origins in Advanced Ceramics³
- C 1341 Test Method for Flexural Properties of Continuous Fiber Reinforced Advanced Ceramic Composites³
- C 1368 Test Method for Determination of Slow Crack Growth Parameters of Advanced Ceramics by Constant Stress-Rate Flexural Testing at Ambient Temperature³
- C 1465 Test Method for Determination of Slow Crack Growth Parameters of Advanced Ceramics by Constant Stress-Rate Flexural Testing at Elevated Temperatures³
- E 4 Practices for Force Verification of Testing Machines⁴
- E 220 Test Method for Calibration of Thermocouples by

Comparison Techniques⁵

E 230 Temperature Electromotive Force (EMF) Tables for Standardized Thermocouples⁵

2.2 Military Standard:

MIL-STD 1942(A) Flexural Strength of High Performance Ceramics at Ambient Temperature⁶

3. Terminology

3.1 Definitions:

3.1.1 *complete gage section, n*—the portion of the specimen between the two outer bearings in four-point flexure and three-point flexure fixtures.

NOTE 1—In this standard, the complete four-point flexure gage section is twice the size of the inner gage section. Weibull statistical analyses, in this instance, only include portions of the specimen volume or surface which experience tensile stresses.

3.1.2 *flexural strength*—a measure of the ultimate strength of a specified beam in bending.

3.1.3 *four-point-1/4 point flexure*—a configuration of flexural strength testing in which a specimen is symmetrically loaded at two locations that are situated at one-quarter of the overall span, away from the outer two support bearings (see Fig. 1).

3.1.4 *fully-articulating fixture, n*—a flexure fixture designed to be used either with flat and parallel specimens or with uneven or nonparallel specimens. The fixture allows full independent articulation, or pivoting, of all rollers about the specimen long axis to match the specimen surface. In addition, the upper or lower pairs are free to pivot to distribute force evenly to the bearing cylinders on either side.

NOTE 2—See Annex A2 for schematic illustrations of the required pivoting movements.

NOTE 3—A three-point fixture has the inner pair of bearing cylinders replaced by a single bearing cylinder.

3.1.5 *inert flexural strength, n*—a measure of the strength of a specified beam specimen in bending as determined in an appropriate inert condition whereby no slow crack growth occurs.

¹ This test method is under the jurisdiction of ASTM Committee C28 on Advanced Ceramics and is the direct responsibility of Subcommittee C28.01 on Properties and Performance.

Current edition approved Dec. 10, 2002. Published June 2003. Originally approved in 1992. Last previous edition approved in 1998 as C 1211-98a.

² Elevated temperatures typically denote, but are not restricted to 200 to 1600°C.

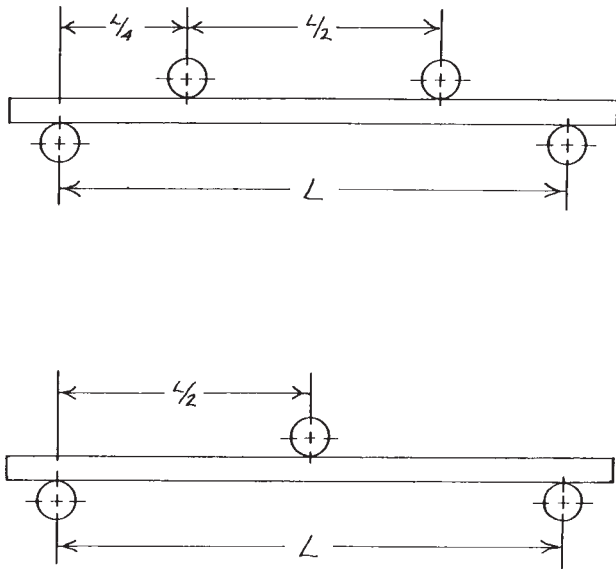
³ *Annual Book of ASTM Standards*, Vol 15.01.

⁴ *Annual Book of ASTM Standards*, Vol 03.01.

⁵ *Annual Book of ASTM Standards*, Vol 14.03.

⁶ Available from Standardization Documents Order Desk, Bldg. 4 Section D, 700 Robbins Ave., Philadelphia, PA 19111-5094. This document is a 1990 update of the original MIL-STD 1942(MR), dated November 1983.

*A Summary of Changes section appears at the end of this standard.



NOTE 1—Configuration:

- A: L = 20 mm
- B: L = 40 mm
- C: L = 80 mm

FIG. 1 Four-Point-1/4 Point and Three-Point Fixture Configurations

3.1.6 *inherent flexural strength, n*—the flexural strength of a material in the absence of any effect of surface grinding or other surface finishing process, or of extraneous damage that may be present. The measured inherent strength is in general a function of the flexure test method, test conditions, and specimen size.

3.1.7 *inner gage section, n*—the portion of the specimen between the inner two bearings in a four-point flexure fixture.

3.1.8 *semi-articulating fixture, n*—a flexure fixture designed to be used with flat and parallel specimens. The fixture allows some articulation, or pivoting, to ensure the top pair (or bottom pair) of bearing cylinders pivot together about an axis parallel to the specimen long axis, in order to match the specimen surfaces. In addition, the upper or lower pairs are free to pivot to distribute force evenly to the bearing cylinders on either side.

NOTE 4—See Annex A2 for schematic illustrations of the required pivoting movements.

NOTE 5—A three-point fixture has the inner pair of bearing cylinders replaced by a single bearing cylinder.

3.1.9 *slow crack growth (SCG), n*—Subcritical crack growth (extension) which may result from, but is not restricted to, such mechanisms as environmentally-assisted stress corrosion or diffusive crack growth.

3.1.10 *three-point flexure*—a configuration of flexural strength testing in which a specimen is loaded at a position midway between two support bearings (see Fig. 1).

4. Significance and Use

4.1 This test method may be used for material development, quality control, characterization, and design data generation purposes. This test method is intended to be used with ceramics whose flexural strength is ~ 50 MPa (~ 7 ksi) or greater.

4.2 The flexure stress is computed based on simple beam theory, with assumptions that the material is isotropic and homogeneous, the moduli of elasticity in tension and compression are identical, and the material is linearly elastic. The average grain size should be no greater than 1/50 of the beam thickness. The homogeneity and isotropy assumptions in the test method rule out the use of it for continuous fiber-reinforced composites for which Test Method C 1341 is more appropriate.

4.3 The flexural strength of a group of test specimens is influenced by several parameters associated with the test procedure. Such factors include the testing rate, test environment, specimen size, specimen preparation, and test fixtures. Specimen and fixture sizes were chosen to provide a balance between the practical configurations and resulting errors as discussed in MIL-STD 1942(A), Test Method C 1161, and Refs (1–3).⁷ Specific fixture and specimen configurations were designated in order to permit the ready comparison of data without the need for Weibull size scaling.

4.4 The flexural strength of a ceramic material is dependent on both its inherent resistance to fracture and the size and severity of flaws. Variations in these cause a natural scatter in test results for a sample of test specimens. Fractographic analysis of fracture surfaces, although beyond the scope of this test method, is highly recommended for all purposes, especially if the data will be used for design as discussed in MIL STD 1942 (A) and Ref (4) and Practices C 1322 and C 1239.

4.5 This method determines the flexural strength at elevated temperature and ambient environmental conditions at a nominal, moderately fast testing rate. The flexural strength under these conditions may or may not necessarily be the inert flexural strength. Flexure strength at elevated temperature may be strongly dependent on testing rate, a consequence of creep, stress corrosion, or slow crack growth. If the purpose of the test is to measure the inert flexural strength, then extra precautions are required and faster testing rates may be necessary.

NOTE 6—Many ceramics are susceptible to either environmentally-assisted slow crack growth or thermally activated slow crack growth. Oxide ceramics, glasses, glass ceramics, and ceramics containing boundary phase glass are particularly susceptible to slow crack growth. Time dependent effects that are caused by environmental factors (e.g. water as humidity in air) may be minimized through the use of inert testing atmosphere such as dry nitrogen gas or vacuum. Alternatively, testing rates faster than specified in this standard may be used if the goal is to measure the inert strength. Thermally activated slow crack growth may occur at elevated temperature even in inert atmospheres. Testing rates faster than specified in this standard should be used if the goal is to measure the inert flexural strength. On the other hand, many ceramics such as boron carbide, silicon carbide, aluminum nitride and many silicon nitrides have no sensitivity to slow crack growth at room or moderately elevated temperatures and for such materials, the flexural strength measured under in laboratory ambient conditions at the nominal testing rate is the inert flexural strength.

4.6 The three-point test configuration exposes only a very small portion of the specimen to the maximum stress. Therefore, three-point flexural strengths are likely to be much greater than four-point flexural strengths. Three-point flexure has some

⁷ The boldface numbers in parentheses refer to the list of references at the end of the text.

advantages. It uses simpler test fixtures, it is easier to adapt to high temperature, and it is sometimes helpful in Weibull statistical studies. However, four-point flexure is preferred and recommended for most characterization purposes.

4.7 The three-point test configuration exposes only a very small portion of the specimen to the maximum stress. Therefore, three-point flexural strengths are likely to be much greater than four-point flexural strengths. Three-point flexure has some advantages. It uses simpler test fixtures, it is easier to adapt to high temperature, and it is sometimes helpful in Weibull statistical studies. However, four-point flexure is preferred and recommended for most characterization purposes.

5. Interferences

5.1 Time-dependent phenomena, such as stress corrosion and slow crack growth, can interfere with determination of the flexural strength at room and elevated temperatures. Creep phenomena also become significant at elevated temperatures. Creep deformation can cause stress relaxation in a flexure specimen during a strength test, thereby causing the elastic formulation that is used to compute the strength to be in error.

5.2 Surface preparation of the test specimens can introduce machining damage such as microcracks that may have a pronounced effect on flexural strength. Machining damage imposed during specimen preparation can be either a random interfering factor or an inherent part of the strength characteristic to be measured. With proper care and good machining practice, it is possible to obtain fractures from the material's natural flaws. Surface preparation can also lead to residual stresses. Universal or standardized test methods of surface preparation do not exist. It should be understood that final machining steps may or may not negate machining damage introduced during the early coarse or intermediate machining.

5.3 Slow crack growth can lead to a rate dependency of flexural strength. The testing rate specified in this standard may or may not produce the inert flexural strength whereby negligible slow crack growth occurs. See Test Method C 1368, C 1465, and Ref (5) for more information about possible rate dependencies of flexural strength and methodologies for quantifying the rate sensitivity

6. Apparatus

6.1 *Loading*—Specimens may be force in any suitable testing machine provided that uniform rates of direct loading can be maintained. The force measuring system shall be free of initial lag at the loading rates used and shall be equipped with a means for retaining readout of the maximum force as well as a force-time or force-deflection record. The accuracy of the testing machine shall be in accordance with Practices E 4.⁸

6.2 *Four-Point Flexure Four-Point- 1/4 Point Fixtures* (Fig. 1), having support spans as given in Table 1.

6.3 *Three-Point Flexure Three-Point Fixtures* (Fig. 1), having a support span as given in Table 1.

⁸ The accuracy requirement is different from that specified in Test Method C 1161 and is a concession to difficulties incurred in conducting elevated temperature testing. The accuracy required by Practices E 4 is 1 %; Test Method C 1161 calls for 0.5 %.

TABLE 1 Fixture Spans

Configuration	Support Span (L), mm	Loading Span, mm
A	20	10
B	40	20
C	80	40

6.4 *Bearings*, three- and four-point flexure.

6.4.1 Cylindrical bearings shall be used for support of the test specimen and for load application. The cylinders may be made of a ceramic with an elastic modulus between 200 and 400 GPa (30 to 60 × 10⁶ psi) and a flexural strength no less than 275 MPa (≈40 ksi). The loading cylinders must remain elastic (and have no plastic deformation) over the load and temperature ranges used, and they must not react chemically with or contaminate the test specimen. The test fixture shall also be made of a ceramic that is resistant to permanent deformation.

6.4.2 The bearing cylinder diameter shall be approximately 1.5 times the beam depth of the test specimen size used (see Table 2).

6.4.3 The bearing cylinders shall be positioned carefully such that the spans are accurate to within ±0.10 mm. The load application bearing for the three-point configurations shall be positioned midway between the support bearings within ±0.10 mm. The load application (inner) bearings for the four-point configurations shall be centered with respect to the support (outer) bearings within ±0.10 mm.

6.4.4 The bearing cylinders shall be free to rotate in order to relieve frictional constraints (with the exception of the middle-load bearing in three-point flexure, which need not rotate). This can be accomplished as shown in Fig. 2 and Fig. 3. Annex A2 illustrates the action required of the bearing cylinders. Note that the outer-support bearings roll outward and the inner-loading bearings roll inward.⁹

6.5 *Semiarticulating Four-Point Fixture*—Specimens prepared in accordance with the parallelism requirements of 7.1 may be tested in a semiarticulating fixture as illustrated in Fig. 2 and in Fig. A2.1(a). All four bearings shall be free to roll. The two inner bearings shall be parallel to each other to within 0.015 mm over their length. The two outer bearings shall be parallel to each other to within 0.015 mm over their length. The inner bearings shall be supported independently of the outer bearings. All four bearings shall rest uniformly and evenly

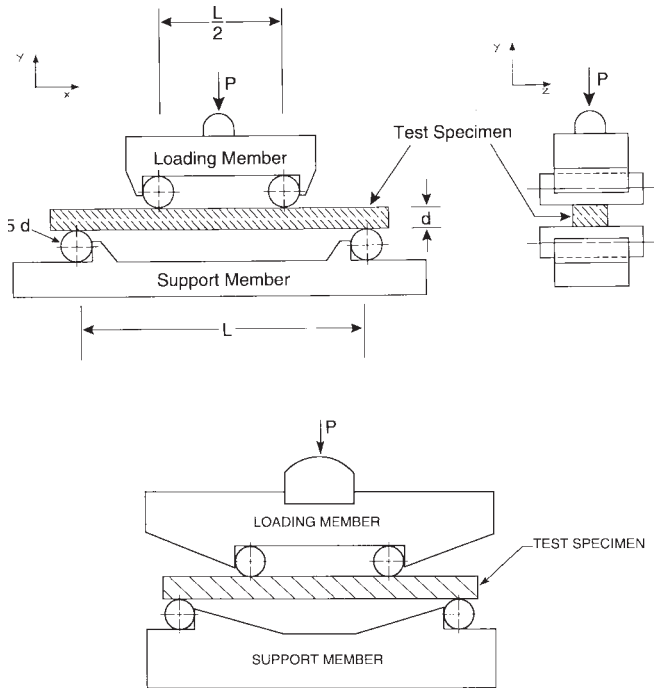
⁹ In general, fixed-pin fixtures have frictional constraints that can cause a systematic error on the order of 5 to 15 % in flexure strength (see Refs (1, 2, 4 to 7)). Since this error is systematic (constant for all specimens in a sample), it will lead to a bias in estimates of the mean strength and will shift a Weibull curve a fixed amount of stress. The scatter, however, will remain constant.

Rolling-pin fixtures are required by this test method. It is recognized that they may not be feasible in some instances, in which case fixed-pin fixtures may be used, but this must be stated explicitly in the report, and justification must be given as noted in 10.1.16.

Some fixtures have loading cylinders that fit into square slots with a slight clearance. Of course, the clearance must be such that the possible spans are within the prescribed limits of this test method. Unfortunately, for any given test, it is usually not possible to ascertain whether a roller rests against an inner or outer shoulder, and thus it is possible that some rollers may be free to roll and others not. This can lead to the superimposition of a random error on the results. Such fixtures should therefore be used with caution.

TABLE 2 Nominal Bearing Diameters

Configuration	Diameter, mm
A	2.0 to 2.5
B	4.5
C	9.0



NOTE 1—Configuration:

- A: L = 20 mm
- B: L = 40 mm
- C: L = 80 mm

NOTE 2—Load is applied through a rounded and well-centered tip that permits the loading member to tilt as necessary to ensure uniform loading.

FIG. 2 Schematics of Semiarticulated Four-Point Fixtures Suitable for Flat and Parallel Specimens

across the specimen surfaces. The fixture shall be designed to apply equal load to all four bearings.

6.6 *Fully Articulating Four-Point Fixture*—Specimens that are as-fired, heat treated, or oxidized often have slight twists or unevenness. Specimens that do not meet the parallelism requirements of 7.1 shall be tested in a fully articulating fixture as illustrated in Fig. 3 and in Fig. A2.1(b). Well-machined specimens may also be tested in fully-articulating fixtures. All four bearings shall be free to roll. One bearing need not articulate. The other three bearings shall articulate to match the specimen’s surface. All four bearings shall rest uniformly and evenly across the specimen surfaces. The fixture shall apply equal load to all four bearings.

6.7 *Semiarticulated Three-Point Fixture*—Specimens prepared in accordance with the parallelism requirements of 7.1 may be tested in a semiarticulating fixture as illustrated in Fig. A2.2(a). The middle bearing shall be fixed and not free to roll. The two outer bearings shall be parallel to each other to within

0.015 mm over their length. The two outer bearings shall articulate together to match the specimen surface, or the middle bearing shall articulate to match the specimen surface. All three bearings shall rest uniformly and evenly across the specimen surface. The fixture shall be designed to apply equal load to the two outer bearings.

6.8 *Fully Articulated Three-Point Flexure*—Specimens that do not meet the parallelism requirements of 7.1 shall be tested in a fully-articulating fixture as illustrated in Figs. A2.2(b) or A2.2(c). Well-machined specimens may also be tested in fully-articulating fixtures. The two support (outer) bearings shall be free to roll outwards. The middle bearing shall not roll. Any two of the bearings shall be capable of articulating to match the specimen surface. All three bearings shall rest uniformly and evenly across the specimen surface. The fixture shall be designed to apply equal load to the two outer bearings.

6.9 *System Compliance*—The compliance of the load train shall be characterized for the loading range used and the testing temperature.¹⁰ The load train and fixtures shall be sufficiently rigid so that at least 80 % of the crosshead motion is transmitted to the actual test specimens. The load train and fixtures shall not permanently deform during testing. It is not necessary to check the system compliance for every test sequence, provided that it has been characterized previously for the identical setup.

6.10 *Fixture Material*, essentially inert for the testing conditions used. The fixture shall be oxidation resistant if the testing is performed in air.¹¹

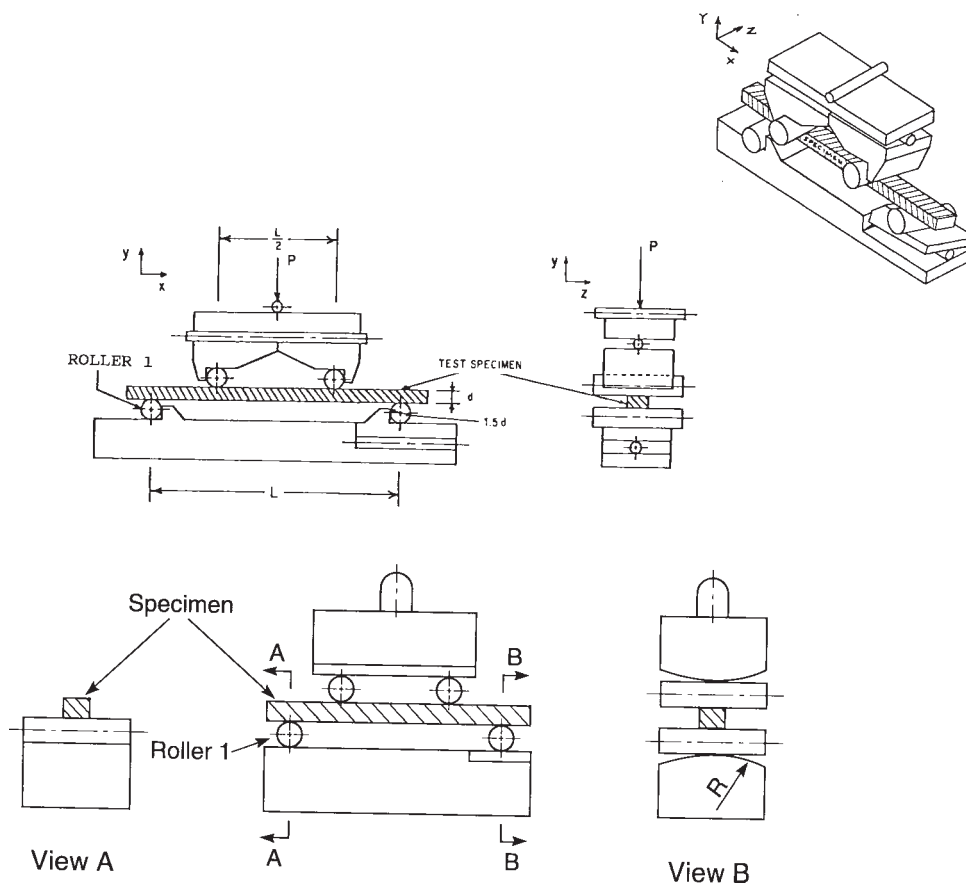
6.11 *Heating Apparatus*—A furnace capable of meeting the following requirements:

6.11.1 The furnace shall be capable of establishing and maintaining a constant temperature during each testing period. The variation in temperature during the test shall be within $\pm 2^\circ\text{C}$. The temperature readout device shall have a resolution of 1°C or lower. The furnace system shall be such that thermal gradients are minimal in the flexure specimen, so that no more than a 5°C differential exists from end-to-end in the specimen.

6.11.2 The specimen temperature shall be monitored by a thermocouple with its tip located no more than 1 mm from the

¹⁰ Compliance can be measured by inserting an oversized block onto the flexure fixture, loading it to the maximum expected break force at the test temperature, and recording a load-deflection graph. The block must be a ceramic material that will remain elastic under these conditions. The compliance check shall be made with the entire force train in place, especially the load bearing rollers. It is recommended that the block be at least five times thicker than the normal test specimen and one to two times thicker than the normal specimen width.

¹¹ Various grades of silicon carbide are available that will be suitable for fixtures and load trains. Hot-pressed or sintered silicon carbides with low additive content are elastic to temperatures in excess of 1500°C . Siliconized silicon carbides and high-purity aluminas are less expensive and are available in a variety of shapes, but they exhibit creep deformations at temperatures above 1200°C . Recrystallized silicon carbides are elastic to temperatures up to 2000°C but are relatively weak due to their porosity. Graphites are extremely refractory but are restricted to usage in inert atmospheres. They may suffice for load rams or portions of fixtures, but they should be avoided for use where there are concentrated loads, such as loading bearings, since graphite is too soft. Avoid materials that will oxidize significantly at test temperatures (if testing in air) or that will react chemically with or contaminate test specimens.



NOTE 1—Configuration:

- A: L = 20 mm
- B: L = 40 mm
- C: L = 80 mm

NOTE 2—One of the four load bearings (for example, roller no. 1) should not articulate about the x axis. The other three will provide the necessary degrees of freedom. The radius *R* in the bottom fixture should be sufficiently large such that contact stresses on the roller are minimized.

FIG. 3 Schematics of Fully Articulating Four-Point Fixtures Suitable for Twisted or Uneven Specimens

midpoint of the flexure specimen. Either a fully sheathed or exposed bead junction may be used. If a sheathed tip is used, it must be verified that there is negligible error associated with the covering.^{12,13}

6.11.3 A separate thermocouple may be used to control the furnace chamber if necessary, but the specimen temperature shall be the reported temperature of the test.¹⁴

6.11.4 The thermocouple(s) shall be calibrated in accordance with Test Method E 220 and Tables E 230.¹⁵

¹² Exposed thermocouple beads have greater sensitivity, but they may be exposed to vapors that can react with the thermocouple materials. (For example, silica vapors will react with platinum.) Beware of the use of heavy-gage thermocouple wire, thermal gradients along the thermocouple length, or excessively heavy-walled insulators, all of which can lead to erroneous temperature readings.

¹³ The thermocouple tip may contact the flexure specimen, but only if there is certainty that the thermocouple tip or sheathing material will not interact chemically with the specimen. Thermocouples may be prone to breakage if they are in contact with the specimen.

¹⁴ Flexure tests are sometimes conducted in furnaces that have thermal gradients. The small size of flexure specimens will alleviate thermal gradient problems, but it is essential to monitor the temperature at the specimen.

¹⁵ Thermocouples should be checked periodically since calibration may drift with usage or contamination.

6.11.5 The temperature shall be accurate to within $\pm 5^\circ\text{C}$. The accuracy shall include the error inherent to the thermocouple as well as any errors in the measuring instruments.^{16,17}

6.11.6 The appropriate thermocouple extension wire should be used to connect a thermocouple to the furnace controller and temperature readout device, which must have either a cold junction or a room temperature compensation circuit. Special attention should be directed toward connecting the extension wire with the correct polarity.

6.11.7 The furnace may have an air, inert, or vacuum environment, as required. If an inert or vacuum chamber is used, and it is necessary to direct load through a bellows, fittings, or seal, it shall be verified that load losses or errors do not exceed 1 % of the expected failure loads.

6.12 *System Equilibrium*—The time for the system to reach thermal equilibrium at test temperature shall be determined for

¹⁶ Resolution should not be confused with accuracy. Beware of recording instruments that read out to 1°C (resolution) but have an accuracy of only $\pm 10^\circ\text{C}$ or $\pm \frac{1}{2} \%$ of full scale (for example, $\frac{1}{2} \%$ of 1200°C is 6°C).

¹⁷ Temperature measuring instruments typically approximate the temperature-electromotive force (EMF, that is, millivolt) tables, but with a few degrees of error.

TABLE 3 Specimen Sizes

Configuration	Width (<i>b</i>), mm	Depth (<i>d</i>), mm	Length (<i>L_T</i>), mm, min
A	2.0	1.5	25
B	4.0	3.0	45
C	8.0	6.0	90

the test temperature to be used. This shall be performed for both hot-furnace loading, in accordance with 8.4, or cold-furnace loading, in accordance with 8.3. This determination can be accomplished during the compliance check specified in 6.9.

6.13 *Micrometer*—A micrometer with a resolution of 0.002 mm (or 0.0001 inch) or smaller should be used to measure the test piece dimensions. The micrometer shall have flat anvil faces. The micrometer shall not have a ball tip or sharp tip since these might damage the test piece if the specimen dimensions are measured prior to fracture. Alternative dimension measuring instruments may be used provided that they have a resolution of 0.002 mm (or 0.0001 inch) or finer and do no harm to the specimen.

7. Specimens

7.1 *Specimen Size*—Dimensions are given in Table 3 and shown in Fig. 4. Cross-sectional dimensional tolerances are ± 0.13 mm for B and C specimens and ± 0.05 for A specimens. The parallelism tolerances on the four longitudinal faces are 0.015 mm for A and B specimens and 0.03 mm for C specimens. The two end faces need not be precision machined.

7.2 *Specimen Preparation*—Depending on the intended application of the flexural strength data, use one of the following four specimen preparation procedures:

7.2.1 *As-Fabricated*—The flexure specimen shall simulate the surface condition of an application in which no machining is used, for example, as-cast, sintered, or injection-molded parts. No additional machining specifications are relevant. An edge chamfer is not necessary in this instance. As-fired specimens are especially prone to twist or warpage and may not meet the parallelism requirements. A fully articulating fixture (see 6.6 and Fig. 3) shall be used in this instance.

7.2.2 *Application-Matched Machining*—The specimen shall be given the same surface preparation as that given to a component. Unless the process is proprietary, the report shall be specific concerning the stages of material removal, wheel grits, wheel bonding, and the amount of material removed per pass.

7.2.3 *Customary Procedure*—This procedure shall be used in instances in which a customary machining procedure has been developed that is completely satisfactory for a class of materials (that is, it induces no unwanted surface damage or residual stresses). It shall be fully specified in the report.

7.2.4 *Standard Procedure*—In the instances in which 7.2.1 through 7.2.3 are not appropriate, the "Standard Procedure" option 7.2.4 of Test Method C 1161 shall apply. All machining shall be parallel to the specimen long axis as shown in Fig. 5. No Blanchard or rotary grinding shall be used.

7.2.4.1 The four long edges of each specimen shall be chamfered uniformly at 45°, a distance of 0.12 ± 0.03 mm, as

shown in Fig. 4. Alternatively, they can be rounded with a radius of 0.15 ± 0.05 mm. Edge finishing shall be comparable to that applied to the specimen surfaces. In particular, the direction of machining shall be parallel to the specimen long axis. If chamfers are larger than the tolerance allows, corrections shall be made to the stress calculation according to Refs (1, 2). Alternatively, a chamfer is not required if a specimen can be prepared with an edge free of machining damage.

7.2.5 *Handling Precautions*—Exercise care in the storing and handling of specimens to avoid the introduction of random and severe flaws, such as might occur if the specimens were allowed to impact or scratch each other.

7.3 *Number of Specimens*—A minimum of 10 specimens shall be required for the purpose of estimating the mean. A minimum of 30 shall be necessary if estimates regarding the form of the strength distribution are to be reported (for example, a Weibull modulus). The number of specimens required by this test method has been established with the intent of determining not only reasonable confidence limits on strength distribution parameters, but also to help discern multiple-flaw population distributions. More than 30 specimens are recommended if multiple-flaw populations are present.

NOTE 7—Practice C 1239 may be consulted for additional guidance particularly if confidence intervals for estimates of Weibull parameters are of concern.

8. Procedure

8.1 Test the specimens on their appropriate fixture in specific testing configurations. Test the Size A specimens on either the four-point A fixture or the three-point A fixture. Similarly, test B specimens on B fixtures and C specimens on C fixtures. A fully articulated fixture is required if the specimen parallelism requirements cannot be met.

8.2 Specimens may be loaded into either a cold furnace, with the whole system then heated to operating temperature, as specified in 8.3 or directly into a hot furnace as specified in 8.4. Do not mark load points since the marker material could react chemically with the specimen. (Ordinary pencil lead is graphite bonded by a clay. The clay can melt or react with a ceramic.)

8.3 *Cold-Furnace Loading*—Specimens may be loaded onto the test fixtures in a cooled furnace. Some means of ensuring alignment of the system during subsequent heating to test temperature shall be provided. The furnace shall then be raised to the test temperature at a constant heating rate that shall be stated in the report. Temperature overshoot (over the test temperature) shall be strictly controlled and shall be no more than 5°C. The temperature shall be held constant (soak time) for the necessary time for the specimen and furnace to come to equilibrium. The soak time shall be stated in the report.

8.4 *Hot-Furnace Loading*—Alternatively, specimens may be loaded directly into a hot furnace. This shall be conducted in a fashion so as to minimize or eliminate thermal shock damage to the specimen. Temperature overshoot (over the test temperature) shall be strictly controlled and shall be no more than 5°C. The temperature shall be held constant (soak time)

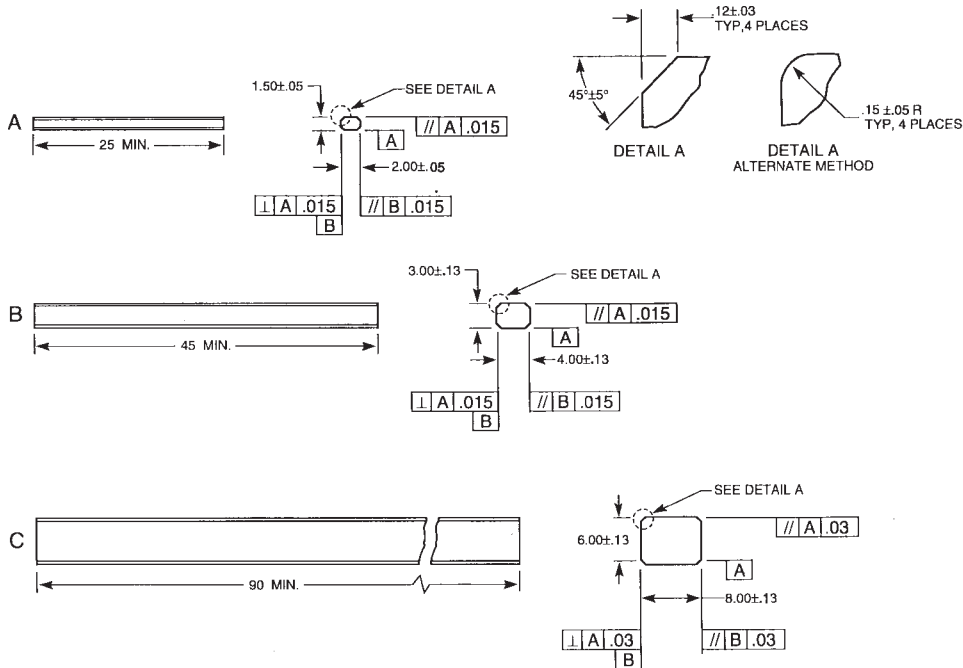


FIG. 4 Standard Test Specimens

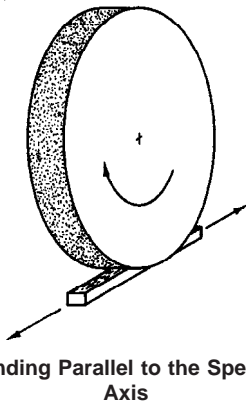


FIG. 5 Surface Grinding Parallel to the Specimen Longitudinal Axis

for the necessary time for the specimen and furnace to come to equilibrium. The soak time shall be stated in the report.^{18,19,20,21}

8.5 If necessary, use a preload to maintain system alignment, but in no instance shall the preload exceed 25 % of the fracture load.

8.6 The fixture shall apply force evenly along the bearings and specimen surface. Ensure that contamination or oxidation reactions do not interfere with this requirement. Inspect the loading bearing cylinders to ensure that there are no reaction

products from the specimen, or other oxidation or chemical reactions that could create the following conditions: affect the test specimens, result in uneven loading of the specimen, or restrict the rollers from rolling. Remove and clean, or replace the rollers partway through a test sequence, if necessary.

8.7 If uneven line loading of the specimen occurs, use a fully articulating fixture.

8.8 Some means should be provided for preventing fractured pieces from flying about the furnace after primary fracture. If possible, the specimens should be retrieved from the furnace as soon as possible after fracture in order to preserve the primary fracture surfaces for subsequent fractographic analysis.

8.9 Testing Rate:

8.9.1 The testing rate shall be chosen such that the time to failure is 10 to 30 s.

8.9.2 Table 4 provides suggested starting crosshead rates that will lead to fracture within this time interval (provided that the compliance requirement of 6.9 is met). Test one specimen at these rates, and then adjust the crosshead rate as required.

8.9.3 If any nonlinearity is observed at the high-force end of the recorded force deflection (or load-time) record of the test sequence, it is likely that creep phenomena (or some other nonelastic phenomena) is interfering with measurement of the

¹⁸ The fixtures may be either left in the furnace the entire time or removed partially or completely, depending on the details of the system.

¹⁹ Some furnaces are amenable to this procedure, but care should be taken to avoid thermally shocking the furnace or test fixtures. A furnace with a small, convenient portal is generally best since the heat loss and radiation will be minimized. This makes it easier to load, and the furnace will return to operating temperature more readily.

²⁰ Suitable precautions should be taken to ensure operator safety from the hazards of thermal or electrical burns. Darkened face shields, leather gloves, and long insertion tools are essential.

²¹ Ensuring proper specimen placement may be more difficult when loading into a hot system, but this can be offset by the use of a suitable self-aligning test jig. A rolling-pin fixture poses further difficulties since it is essential that the rollers and specimens are positioned properly. Again, this can be accomplished with careful fixture design. For example, removable inserts could be used to hold the rollers in their proper position, the specimen inserted and preloaded slightly, and then the inserts removed. In some instances (temperatures of up to 1200°C and short loading times), it is possible to use a common acetate household cement to hold the rollers in place in a cold fixture (the whole or a part thereof) during the insertion procedure. Such cement burns off, leaving no residue.

TABLE 4 Suggested Initial Crosshead Speeds

Configuration	Crosshead Speed, mm/min
A	0.2
B	0.5
C	1.0

flexural strength (see Note). In this case, testing rates shall be increased to faster than specified in 8.9.1 and 8.9.2, provided that accurate force readout is possible. The presence of nonlinearity at the slower rate shall be stated in the report.

NOTE 8—A ruler can be held against the trace record to detect nonlinearity.

8.9.4 If it is suspected that slow crack growth is active (which may interfere with measurement of the flexural strength) to a degree that it might cause a rate dependency in the measured flexural strength, then faster testing rates should be used.

NOTE 9—The sensitivity of flexural strength to stressing rate may be assessed by testing at two or more rates. See Test Method C 1368 and C 1465.

8.10 *Breakforce*—Measure the breakforce an accuracy of 1.0 %. The force versus time or force versus deflection shall be recorded. This will permit an assessment of the presence of nonlinear loading effects.

8.11 *Specimen Dimension*—Determine the thickness and width of each specimen to within 0.002 mm (0.0001 in.). In order to avoid damage in the critical area, it is recommended that measurement be made after the specimen has broken, at a point near the fracture origin.²² It is highly recommended that all primary fracture fragments be retained and preserved for fractographic analysis.

8.12 The occasional use of a strain-gaged specimen at room temperature is recommended in order to verify that there is negligible error in stress in accordance with 11.2. Strain gages shall not be left on the specimen when the system is heated since they will melt and contaminate the specimen or fixtures.

8.13 Fractographic analysis of broken test specimens is highly recommended to characterize the types, locations, and sizes of fracture origins as well as possible crack extension due to slow crack growth. Follow the Guidelines in Practice C 1322. Only some test specimen pieces need be saved. Tiny fragments or shards are often inconsequential since they do not contain the fracture origin. With some experience, it is usually not difficult to determine which pieces are important and should be retained. It is recommended that the test pieces be retrieved with tweezers after fracture, or the operator may wear gloves in order to avoid contamination of the fracture surfaces for possible fractographic analysis. See Test Method C 1161 and Practice C 1322 for guidance. If there is any doubt, then all pieces should be preserved.

8.14 Reject all test specimens that fracture from scratches or other extraneous damage. See Test Method C 1161 on guidance for how to examine specimens for scratches or extraneous damage

8.15 Specimens which break outside of the inner gage section are valid in this test method, provided that their occurrence is infrequent. Frequent breakages outside the inner gage section (~10% or more of the specimens) or frequent primary breakages directly under (within 0.5 mm) an inner bearing are grounds for rejection of a test set. The specimens and fixtures should be checked for alignment and articulation.

NOTE 10—Oxidation marks often indicate the location of the contact points and hence the inner and outer gage sections on tested specimen. Breaks outside the inner gage section sometimes occur due to an abnormally large flaw and there is nothing wrong with such a test outcome. The frequency of fractures outside the inner gage section depends upon the Weibull modulus (more likely with low moduli) and whether there are stray (anomalous) flaws. Breakages directly under an inner load pin sometimes occur for similar reasons. In addition, many apparent fractures under a load pin are in fact legitimate fractures from an origin close to, but not directly at the load pin. Secondary fractures in specimens that have a lot of stored elastic energy (i.e., strong specimens) often occur right under a load pin due to elastic wave reverberations in the specimen. See Test Method C 1161 and Practice C 1322 for guidance.

9. Calculation

9.1 The standard formula for the strength of a beam in four-point-1/4 point flexure is as follows:

$$S = 3 PL / 4 bd^2 \quad (1)$$

where:

P = breakforce,

L = outer (support) span,

b = specimen width, and

d = specimen thickness.

9.2 The standard formula for the strength of a beam in three-point flexure is as follows:

$$S = 3 PL / 2 bd^2 \quad (2)$$

9.3 Eq 1 and Eq 2 shall be used to report results and are the common equations used for the flexure strength of a specimen.^{23,24}

9.4 *Alternate Practice*—Eq 1 and Eq 2 neglect to compensate for thermal expansion of the fixture and specimen since all dimensions are taken at room-temperature. Expansion of the fixture and specimen can lead to errors of 1 to 3 % for advanced ceramic materials such as alumina, silicon carbide, silicon nitride, and zirconia. The annex provides revised formulas for Eq 1 and Eq 2 and shall be used if the average thermal expansion coefficient of the fixture and the specimen are known. The use of the thermal expansion corrected equations must be stated explicitly in the report.

9.5 If the test specimens edges are chamfered or rounded, and if the sizes of the chamfers or rounds exceeds the limits in

²³ It should be recognized, however, that Eq 1 and Eq 2 do not necessarily give the stress that was acting directly on the fracture origin that caused failure. In some instances, for example, for fracture mirror or fracture toughness calculations, the fracture stress must be corrected for subsurface origins and breaks outside the gage length. For conventional Weibull analyses, use the maximum stress in the specimen at failure from Eq 1 and Eq 2.

²⁴ The conversion between pounds per square inch (psi) and megapascals (MPa) is included for convenience: 145.04 psi = 1 MPa; therefore, 100 000 psi = 100 ksi = 689.5 MPa.

²² Do not use ball-tipped or sharp-anvil micrometers on specimens before testing since they can cause localized cracking. Flat anvil micrometers are preferred.

7.2.4.8 and Figure 4, then the strength of the beam shall be corrected in accordance with Annex A2 of Test Method C 1161.

10. Report

10.1 Report the following information (Appendix X1 gives an example format):

- 10.1.1 Test configuration and specimen size used.
- 10.1.2 Number of specimens (n) used.
- 10.1.3 Relevant material data, including vintage, component, or billet identification data, if available. (Did all specimens come from one component or plate?) As a minimum, report the date on which the material was manufactured.
- 10.1.4 Exact method of specimen preparation, including all stages of machining, if available.
- 10.1.5 Heat treatments or exposures, if any.
- 10.1.6 Strain rate or crosshead rate and approximate average time-to-fracture.
- 10.1.7 Test temperature and environment.
- 10.1.8 Type of furnace, air, inert, or vacuum. The type of heating elements and temperature-measuring device.
- 10.1.9 Mode of insertion of the specimens in the furnace (hot or cold loading).
- 10.1.10 Rate of heating.
- 10.1.11 Soak or hold time at temperature prior to test commencement.
- 10.1.12 Type of fixture used, including the material. It shall be certified that the loading pins are free to roll.
- 10.1.13 Formula used for stress and, in particular, whether the thermal expansion of the fixtures and specimen was taken into account.
- 10.1.14 Strength of every specimen, in megapascals, to three significant figures.
- 10.1.15 Mean strength (\bar{S}) and standard deviation (SD), where:

$$\bar{S} = \frac{\sum_{i=1}^n S_i}{n} \quad (3)$$

$$SD = \sqrt{\frac{\sum_{i=1}^n (S_i - \bar{S})^2}{(n-1)}} \quad (4)$$

10.1.16 Any deviations and alterations from the procedures specified. It is recognized that practical considerations may in some instances warrant deviations or alterations from the requirements of this test method. These must be noted and justified. Deviations and variations could affect the precision and bias of the results.

11. Precision and Bias

11.1 The flexural strength of a ceramic is not a deterministic quantity, but it will vary from one specimen to another. There will be an inherent statistical scatter in the results for finite sample sizes (for example, 30 specimens). Weibull statistics model this variability as discussed in Refs (10 to 13) and Practice C 1239. This test method has been devised so that the precision is very high and the bias very low compared to the inherent variability of strength of the material.

11.2 Experimental Errors:

11.2.1 The experimental errors in the high-temperature flexure test arise from simple beam-theory assumptions, external load application sources, and thermal effects.

11.2.2 The experimental errors from simple beam theory assumptions and external load sources have been analyzed thoroughly and documented in Ref (1). The specifications and tolerances in this test method have been chosen such that the individual errors are typically less than 0.5 % each, with exceptions noted in 11.2.4 through 11.2.5 11.2.6. The total error for test fixtures with rolling load bearing fixture is probably less than 3 % for four-point Configurations B and C (Ref (1)). A conservative upper limit is on the order of 5 %. This is the maximum possible error in stress for an individual specimen.

11.2.3 This method requires freely rotating bearing cylinders (6.4.4) to relieve frictional constraints. Fixed pin fixtures cause friction constraint that leads to a bias error (systematic overestimate of the true flexure stress) of the order of 3–15 % depending upon fixture design and coefficients of friction between specimen and contact points (1, 2, 5-8, 13).

11.2.4 Chamfering the edges reduces the specimen cross-sectional area and reduces the moment of inertia. The error associated with neglecting this, for the maximum chamfer sizes permitted by the tolerances, is on the order of 1 % for Configuration B and much less than 1 % for Configuration C. This is discussed in Refs (1, 2). Chamfers larger than specified in this test method shall require a correction to stress calculations as discussed in Refs (1, 2).

11.2.5 Configuration A is somewhat more prone to error that is probably greater than 5 % in four-point loading. The chamfer error due to reduction of cross-section is 4.1 %. In addition, this rather small specimen may be difficult to load and align in high-temperature test fixtures and furnaces. For this reason, this configuration is recommended only for characterization and materials development purposes.

11.2.6 *Thermal Expansion*—The effects of thermal expansion have not been incorporated into Formulas 1 and 2 for flexure stress. This typically will lead to a bias in the flexure strength on the order of 1 to 3 %. (All specimens of a sample will experience the identical error, and thus the scatter, or Weibull modulus, will be unaffected.) For detailed design work, it may be appropriate to correct for this effect as shown in the annex. If this adjustment is made, the report shall state this explicitly.

11.3 *Sampling Effects*—The variations in estimates of strength parameters due to statistical sampling effects have been analyzed in Ref (12). For a material with a Weibull modulus of 10, estimates of the mean (or characteristic strength) for samples of 30 specimens will have a coefficient of variance of 2.2 %. The coefficient of variance for estimates of the Weibull modulus is 18 %.

11.4 *Round-Robin*—A round-robin exercise was conducted between 1990 and 1993 under the auspices of the International Energy Agency Ref. (14). Ten laboratories each tested 15 hot-isopressed silicon nitride “B”-sized specimens at 1250°C in lab ambient air in four-point flexure with 20 mm X 40 mm spans. Fixture designs varied considerably, however, and many

were not in compliance with the requirements of this standard which was under development at the time the round robin was underway. In particular, many fixtures did not have provision for rollers to roll (and had fixed knife edges or rollers in V-grooves), an essential requirement to eliminate friction errors. Additional requirements in this standard may or may not have been met. (For example, temperature control requirements in 6.11 and 6.12.)

11.4.1 Experiments in the round robin with a strain-gaged master specimen confirmed the existence of frictional errors of 4–14 % in the participating laboratories fixed-loading point fixtures at room temperature (14).

11.4.2 Four laboratories utilized fixtures with some provision for rollers to roll. This was either a design with rollers in slightly-oversized square slots (laboratories 3,6,8) or in oversized cylindrical grooves (laboratory 5). Alignment of the rollers in the former was uncertain, however, and strain gage results indicated the true flexure stresses were 6 % less than the calculated stresses. Strain gage results for the former three laboratory fixtures indicated true stresses typically within 3 % of calculated stresses. These results suggest that the rollers in square-slots scheme may alleviate but not totally eliminate frictional errors since some of the rollers may be free to roll while others may not depending upon which side of the slot a roller rests at the start of a test.

11.4.3 The mean and standard deviation flexure strengths in MPa for 15 specimens each from the three laboratories that had some provision for rollers to roller (laboratories 3, 6, and 8) were: 541. \pm 43.; 581 \pm 51; and 580. \pm 30., respectively. The mean of these three means is 567. MPa with a between-lab standard deviation of the means of 23. MPa, or a coefficient of variation of 4 %. (30 or more specimens per test set are recommended for Weibull statistical analysis, but (14) shows that the round robin Weibull parameter estimates are within expected statistical sampling bounds.)

11.5 VAMAS Round Robin- A round robin project on elevated temperature flexure strength was conducted under the auspices of the Versailles Advanced Materials and Standards (VAMAS) program in 1999-2000 (15). Thirteen laboratories in six countries measured the strength of silicon nitride at 1200°C

in air. Semi- and fully-articulating fixtures were used. All testing was in four-point flexure, with either 10 mm x 30 mm or 20 mm x 40 mm spans. Most laboratories tested 10 or 12 specimens. Conclusions from this project are in the following paragraphs.

11.5.1 Strengths of test specimens tested with the 10 mm x 30 mm spans were slightly greater (6.3%) than the strengths of test specimens tested with 20 mm x 40 mm spans. The difference in average strengths was primarily due to the difference in Weibull effective volumes or effective areas. (The Weibull modulus was approximately 10.)

11.5.2 Test specimens tested on fully-articulated fixtures were slightly stronger (5.1%) than specimens tested on semi-articulated fixtures.

11.5.3 The limited number of test specimens tested by each laboratory (10 or 12) led to a large reproducibility uncertainty (between-laboratory strength variations). Mean strengths varied as much as \pm 7% between laboratories for a given test configuration. Much of the difference could be attributed to statistical effects due to the small sample sizes. The between laboratory differences were within the 90 % confidence intervals predicted by Weibull statistics.

11.5.4 Supplemental experiments confirmed that friction constraints affected load-displacement curve data (and presumably the measured flexure strength) with fixtures that had rollers that were not completely free to roll. Fixtures with rollers in square slots of insufficient clearance may inhibit roller motion.

11.5.5 Two laboratories performed additional testing in inert nitrogen environment. Nitrogen-tested specimens were weaker than air-tested specimens, presumably due to oxidative crack healing in the latter.

11.5.6 Load-displacement curves were valuable in interpreting the performance of the test fixtures and for confirming that the material had linearly elastic behavior up to fracture.

12. Keywords

12.1 elevated temperature; flexural strength; four-point flexure; three-point flexure

ANNEXES

(Mandatory Information)

A1. SEMI- AND FULLY-ARTICULATING FOUR-POINT FIXTURES

INTRODUCTION

The following schematic figures illustrate semi articulated and fully articulated degrees of freedom in the test fixtures. Fully-articulated fixtures shall be used for specimens that are not parallel or flat. Fully articulated fixtures may be used for well-machined specimens. Semi-articulating fixtures shall only be used with flat and parallel specimens.

A1.1 The following equations shall be used as alternatives to Eq 1 and Eq 2 if the thermal expansion of the fixtures and specimen are known.

A1.1.1 *Four-Point-1/4 Point Flexure:*

$$S = \frac{3 PL}{4 bd^2} \frac{(1.0 + \alpha_{fix} \Delta T)}{(1.0 + \alpha_{spec} \Delta T)^3} \quad (A1.1)$$

where:

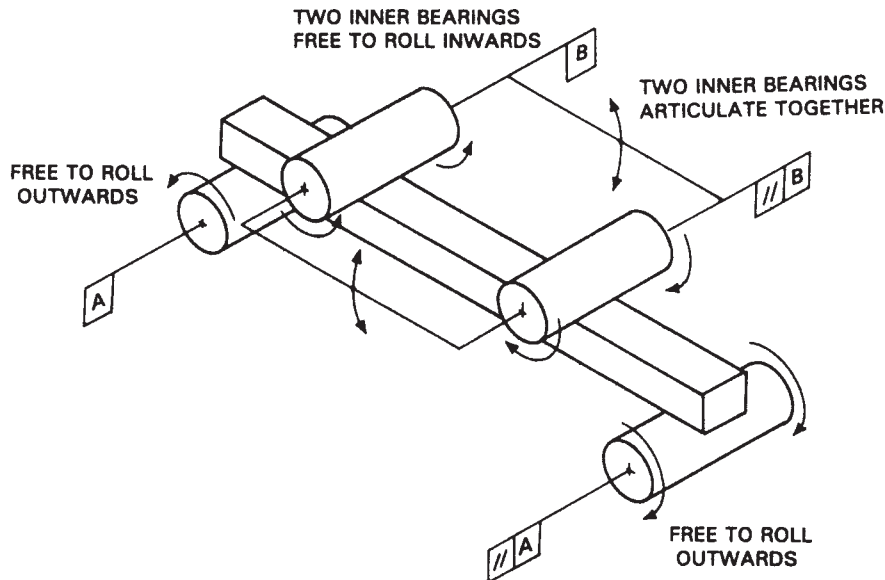
- =
- P = breakforce,
- L = outer (support) span,
- b = specimen width,
- d = specimen thickness,

- α_{fix} = average coefficient of thermal expansion from room temperature to the test temperature for the test fixture material,
- α_{spec} = average coefficient of thermal expansion from room temperature to the test temperature for the specimen material, and
- ΔT = temperature difference from room to test temperature.

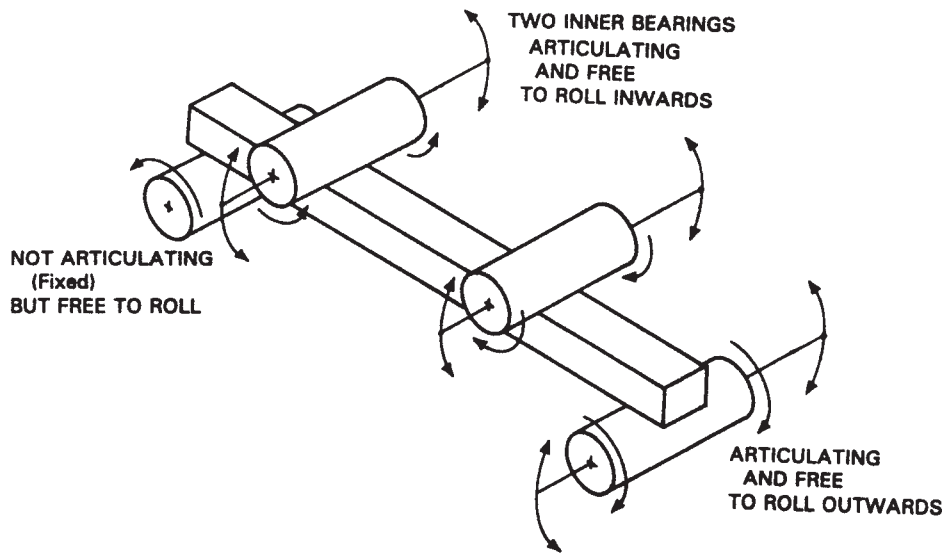
A1.1.2 *Three-Point Flexure:*

$$S = \frac{3 PL}{2 bd^2} \frac{(1.0 + \alpha_{fix} \Delta T)}{(1.0 + \alpha_{spec} \Delta T)^3} \quad (A1.2)$$

A2. SEMI- AND FULLY-ARTICULATING FIXTURES

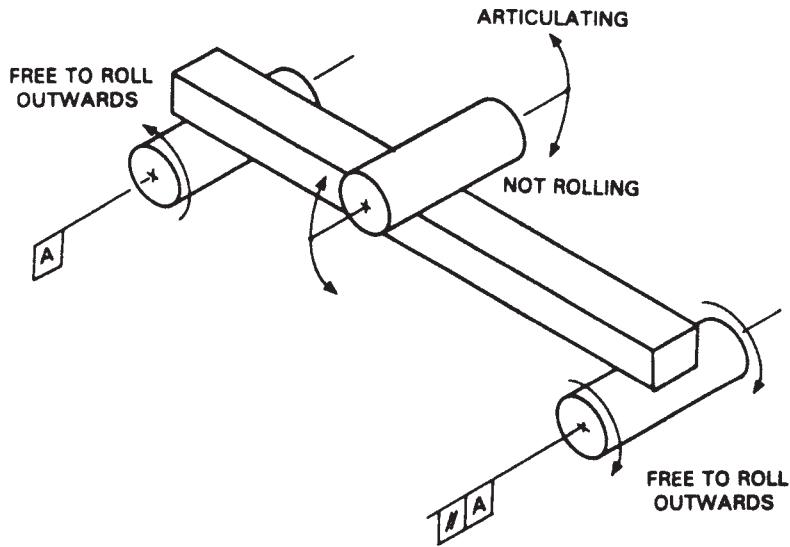


- (a) **SEMI-ARTICULATING.** The two inner bearings are parallel to each other and the bearings are free to roll inwards. The two outer bearings are parallel to each other, and the bearings are free to roll outwards. The two inner bearings can articulate together as a pair to match the specimen top surface. (Alternatively, the two bottom bearings can articulate to match the bottom surface.)

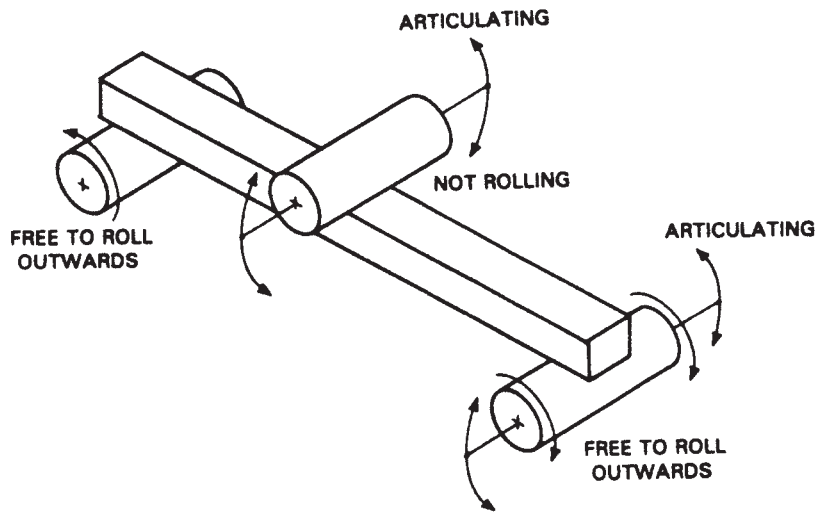


- (b) **FULLY-ARTICULATING.** The two inner bearings are free to roll inwards, and they can independently articulate to match the specimen top surface. The two outer bearings are free to roll, and one bearing can articulate to match the specimen bottom surface.

FIG. A2.1 Four-Point Flexure Fixture

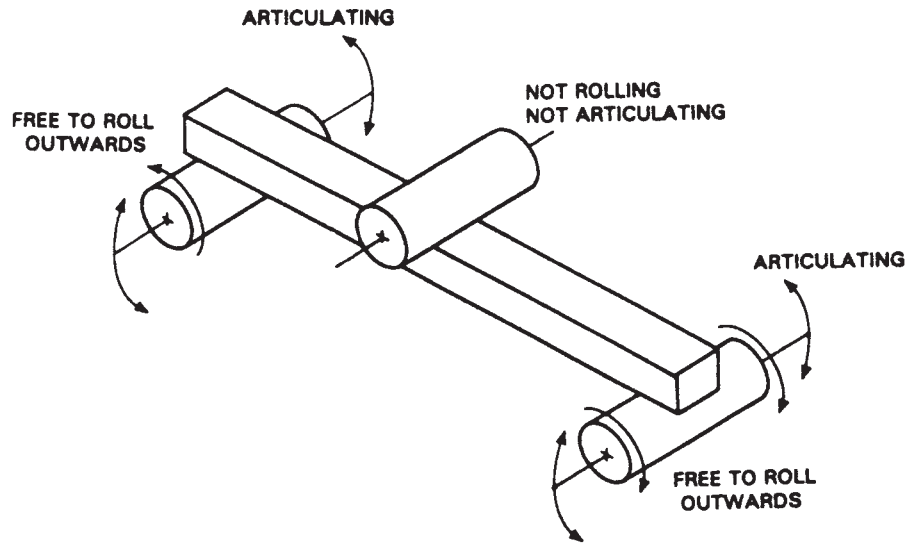


- (a) **SEMI-ARTICULATING.** The two support bearings are parallel to each other and they are free to roll outward. The middle bearing does not roll, but it can articulate to match the specimen top surface.



- (b) **FULLY-ARTICULATING** The two support bearings are free to roll outward. One support bearing can articulate to match the specimen surface. The middle bearing does not roll, but it can articulate to match the specimen top surface.

FIG. A2.2 Three-Point Flexure Fixture



- (c) **FULLY-ARTICULATING** (Alternative design) The two support bearings are free to roll outward. Both support bearings can articulate to match the specimen surface. The middle bearing does not roll and does not articulate.

FIG. A2.3 Three-Point Flexure Fixture

APPENDIXES
(Nonmandatory Information)
X1. SAMPLE TEST REPORT
X1.1
Test Report—Flexural Strength of Advanced Ceramics at Elevated Temperature
1. Test Procedure:

- Specimen size: A (1.5 × 2 × 25 mm minimum)
 B (3 × 4 × 45 mm minimum)
 C (6 × 8 × 85 mm minimum)
 Other: _____
- Fixture: Three-point Four-point
 Fixture outer span: 20 mm 40 mm 80 mm
 Fixture style: Semi-articulating Fully articulating
 Fixture material: _____
 Loading rollers free to roll? Yes No
 Loading roller diameter: _____ mm

2. Number of Specimens: _____

3. Material:

- Name: _____
 Vintage: _____
 Date manufactured: _____
 Billet or component number: _____

4. Specimen Preparation:

- As-fired
 Machined machining procedures: _____

Specimen orientation (if applicable): _____

 Other specimen preparation, heat treatments, or exposures: _____

5. Crosshead rate: _____ mm/min

Approximate average time-to-fracture: _____ s

6. Test temperature: _____ °C

 Temperature measuring device: Thermocouple, Type _____
 Other, specify _____

 Test environment: air vacuum other, specify _____

7. Furnace type: _____

Heating element type: _____

8. Specimen loading into furnace procedure:

- Hot furnace Cold furnace

9. Rate of Heating: _____ °C/min

Time to reach test temperature: _____ min

Soak (or hold) time at temperature: _____ min

10. Mean strength: _____ MPa

Standard deviation: _____ MPa

 Are strengths corrected for thermal expansion? Yes No

 If yes: $\alpha_{fix} =$ _____ $\alpha_{spec} =$ _____

11. Deviations from specified procedures (if any): _____

12. Name of tester: _____

Date of testing: _____

13. Individual Specimen Strengths:

Specimen Number	Strength, (MPa) ^A	Comments	Fractography ^B		
			Flaw type	Location	Size

^A Three significant figures.

^B Examples of columns or fields for subsequent fractographic analysis.

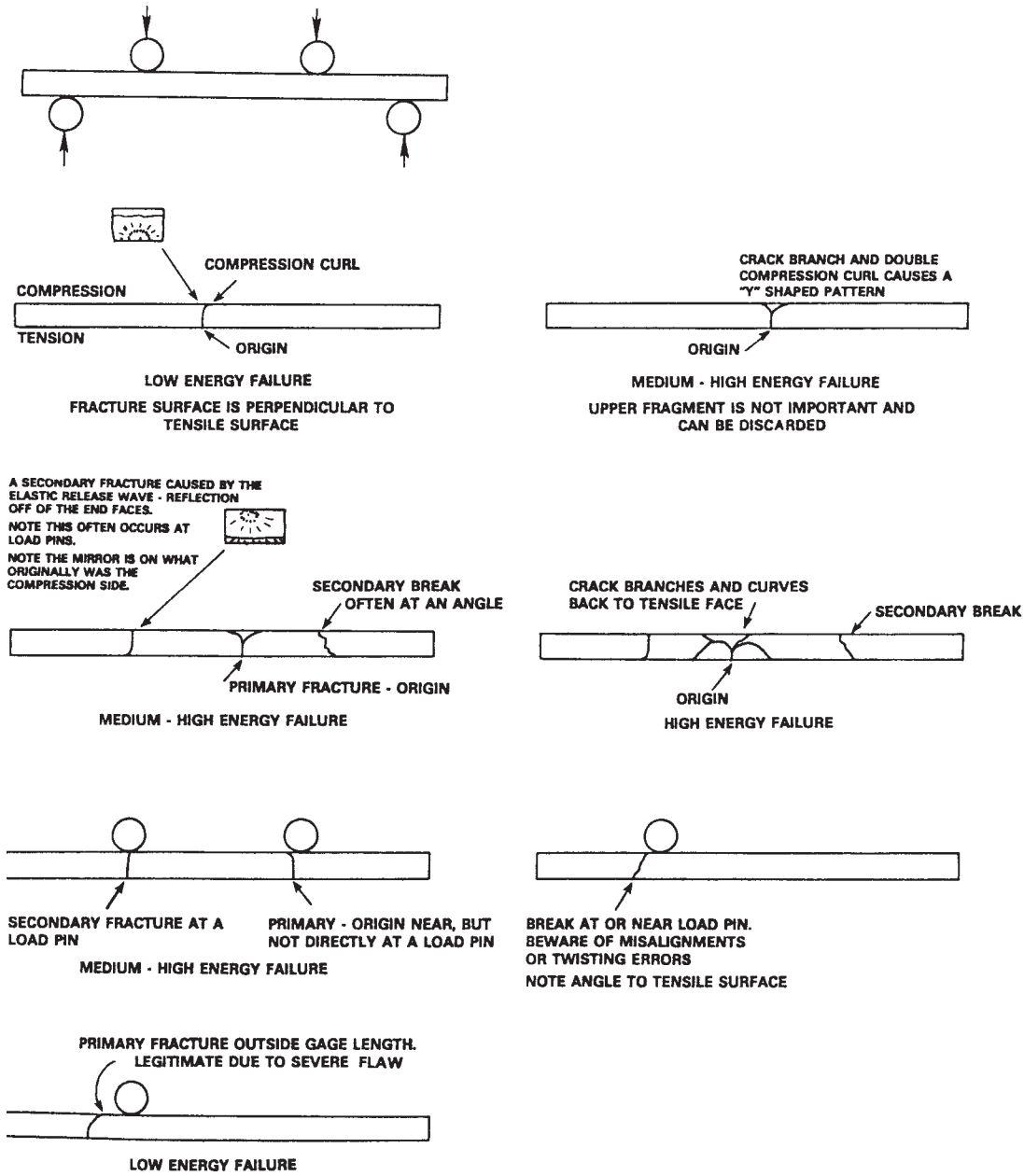


FIG. X2.1 Fracture Patterns

X2. TYPICAL FRACTURE PATTERNS IN CERAMIC FLEXURE SPECIMENS

X2.1 Fig. X2.1 illustrates fracture patterns that are commonly observed in ceramic specimens. Low strength ceramics, which have a low energy level at fracture, typically break into only two pieces. Medium- to high-strength ceramics break into

more pieces. Fractographic analysis can assist in determining the primary fracture origin. See Practice D 1322 for further guidance.

REFERENCES

- (1) Baratta, F. I., Quinn, G. D., Matthews, W. T., "Errors Associated With Flexure Testing of Brittle Materials," U.S. Army MTL TR 87-35, July 1987.
- (2) Baratta, F. I., "Requirements for Flexure Testing of Brittle Materials," *Methods for Assessing the Structural Reliability of Brittle Materials, ASTM STP 844*, ASTM, Philadelphia, PA, 1984, pp. 194–222.
- (3) Quinn, G. D., Baratta, F. I., and Conway, J. A., "Commentary on U.S. Army Standard Test Method for Flexural Strength of High Performance Ceramics at Ambient Temperature," U.S. Army AMMRC TR 85-21, August 1985.
- (4) G.D. Quinn and R. Morrell, "Design Data for Engineering Ceramics: A Review of the Flexure Test" *Journal of the American Ceramic Society*, 74 [9] (1991) pp. 2037–66.
- (5) S.R. Choi and J.P. Gyekenyesi, "'Ultra'-Fast Fracture Strength of Advanced Structural Ceramics at Elevated Temperatures: An Approach to High-Temperature Inert Strength," pp. 27–46 in *Fracture Mechanics of Ceramics*, Vol 13, Edited by R.C. Bradt, D. Munz, M. Sakai, V. Ya. Shevchenko and K. White, Kluwer Academic/Plenum Publishers, NY, NY (2002).
- (6) Hoagland, R., Marshall, C., and Duckworth, W., "Reduction of Errors in Ceramic Bend Strengths," *Journal of the American Ceramic Society*, Vol 59, Nos. 5–6, 1976, pp. 189–92.
- (7) Swank, L., Caverly, J. C., and Allor, R., L., "Experimental Errors in Modulus of Rupture Test Fixtures," *Ceramic Engineering and Science Proceedings*, Vol 11, Nos. 9–10, 1990, pp. 1329–1345.
- (8) Quinn, G. D., "Refinements to Flexure Testing," *Euroceramics II*, Vol. 2, eds. G. Ziegler and H. Hausner, DKG, Cologne, 1993, pp. 1191–1195.
- (9) Cox, J. M. and Gee, M. G. "Hot Friction Testing of Ceramics," *Wear*, Vol 203–204, Elsevier, 1997, pp. 404–417.
- (10) Weibull, W., "Statistical Distribution Function of Wide Applicability," *Journal of Applied Mechanics*, Vol 18, 1951, p. 293.
- (11) Davies, D. G. S., "The Statistical Approach to Engineering Design in Ceramics," *Proceedings of the British Ceramic Society*, Vol 22, 1979, pp. 429–52.
- (12) Ritter, J., Jr., Bandyopadhyay, N., and Jakus, K., "Statistical Reproducibility of the Dynamic and Static Fatigue Experiments," *Ceramic Bulletin*, Vol 60, No. 8, 1981, pp. 798–806.
- (13) Quinn, G. D., "Fractographic Analysis and the Army Flexure Test Method," *Fractography of Glass and Ceramics, Advances in Ceramics*, Vol 22, American Ceramic Society, 1988, pp. 314–334.
- (14) Tennery, V.J., Breder, K., Ferber, M.K., and Jenkins, M.G., "Study of the Flexure and Tensile Strength of a United States Silicon Nitride," U.S. Department of Energy, IEA Report, Oak Ridge National Laboratory, Oak Ridge, TN, Sept. 1993.
- (15) A. Okada and M. Mizuno, "VAMAS Round Robin on Flexural Strength of Silicon Nitride at High Temperature," *Versailles Advanced Materials and Standards Report #39* ISSN 1016-2186, Japan Fine Ceramic Center, Nagoya, Japan, September 2000.

SUMMARY OF CHANGES

Committee C28 has identified the location of selected changes to this test method since the last issue (C 1211-92) that may impact the use of this test method.

- (1) Annexes X3 which showed typical fracture patterns in specimens was deleted and replaced with references to identical figures in Practice C 1322 and Test Method C 1161.
- (2) The "standard procedure" for specimen preparation was considerably shortened and reference made back to the identical procedure in Test Method C 1161. (7.2.4)
- (3) More information about use of flexural strength for design was added to the Significance and Use section. A statement about the merits of three-point versus four-point flexure testing was added. (4.7)
- (4) Additional guidance on fractographic analysis was added. (4.4, 8.1.3)
- (5) A new paragraph on micrometers for specimen dimension measurement was added. (6.13)
- (6) Definitions of inherent flexural strength, inner gage section and complete gage section were added. Instructions on how to treat fractures outside the inner gage section were clarified. (8.15)
- (7) The former Appendix X1, which included the obsolete 1/8 inch x 1/4 inch x 2-inch specimen, was deleted.
- (8) Related standards C 1239 on Weibull parameter estimation and C 1465 on variable stressing rate testing were cited and cross-referenced.
- (9) A new paragraph 4.5 on the merits of three-point versus four-point testing was added to the Significance and Use section. (4.7)
- (10) Instructions on how to deal with scratched or damaged specimens were added. (8.14)
- (11) New VAMAS round robin results were added to the Precision and Bias section. (11.5)

ASTM International takes no position respecting the validity of any patent rights asserted in connection with any item mentioned in this standard. Users of this standard are expressly advised that determination of the validity of any such patent rights, and the risk of infringement of such rights, are entirely their own responsibility.

This standard is subject to revision at any time by the responsible technical committee and must be reviewed every five years and if not revised, either reapproved or withdrawn. Your comments are invited either for revision of this standard or for additional standards and should be addressed to ASTM International Headquarters. Your comments will receive careful consideration at a meeting of the responsible technical committee, which you may attend. If you feel that your comments have not received a fair hearing you should make your views known to the ASTM Committee on Standards, at the address shown below.

This standard is copyrighted by ASTM International, 100 Barr Harbor Drive, PO Box C700, West Conshohocken, PA 19428-2959, United States. Individual reprints (single or multiple copies) of this standard may be obtained by contacting ASTM at the above address or at 610-832-9585 (phone), 610-832-9555 (fax), or service@astm.org (e-mail); or through the ASTM website (www.astm.org).