



Standard Test Method for Nuclear-Grade Activated Carbon¹

This standard is issued under the fixed designation D 3803; the number immediately following the designation indicates the year of original adoption or, in the case of revision, the year of last revision. A number in parentheses indicates the year of last reapproval. A superscript epsilon (ϵ) indicates an editorial change since the last revision or reapproval.

1. Scope

1.1 This test method is a very stringent procedure for establishing the capability of new and used activated carbon to remove radio-labeled methyl iodide from air and gas streams. The single test method described is for application to both new and used carbons, and should give test results comparable to those obtained from similar tests required and performed throughout the world. The conditions employed were selected to approximate operating or accident conditions of a nuclear reactor which would severely reduce the performance of activated carbons. Increasing the temperature at which this test is performed generally increases the removal efficiency of the carbon by increasing the rate of chemical and physical adsorption and isotopic exchange, that is, increasing the kinetics of the radioiodine removal mechanisms. Decreasing the relative humidity of the test generally increases the efficiency of methyl iodide removal by activated carbon. The water vapor competes with the methyl iodide for adsorption sites on the carbon, and as the amount of water vapor decreases with lower specified relative humidities, the easier it is for the methyl iodide to be adsorbed. Therefore, this test method is a very stringent test of nuclear-grade activated carbon because of the low temperature and high relative humidity specified. This test method is recommended for the qualification of new carbons and the quantification of the degradation of used carbons.

1.1.1 Guidance for testing new and used carbons using conditions different from this test method is offered in Annex A1.

1.2 *This standard does not purport to address all of the safety concerns, if any, associated with its use. It is the responsibility of the user of this standard to establish appropriate safety and health practices and determine the applicability of regulatory limitations prior to use.*

2. Referenced Documents

2.1 ASTM Standards:

D 1193 Specification for Reagent Water²

D 2652 Terminology Relating to Activated Carbon³

¹ This test method is under the jurisdiction of ASTM Committee D-28 on Activated Carbon and is the direct responsibility of Subcommittee D28.04 on Gas Phase Evaluation Tests.

Current edition approved April 15, 1991. Published June 1991. Originally published as D 3803 – 79. Last previous edition D 3803 – 86.

² *Annual Book of ASTM Standards*, Vol 11.01.

³ *Annual Book of ASTM Standards*, Vol 15.01.

D 2854 Test Method for Apparent Density of Activated Carbon³

E 300 Practice for Sampling Industrial Chemicals⁴

E 691 Practice for Conducting an Interlaboratory Test Study to Determine Precision of a Test Method⁵

2.2 Code of Federal Regulations:

CFR Title 49, Section 173.34, "Qualification, Maintenance, and Use of Cylinders"⁶

CFR Title 49, Part 178, Subpart C, "Specifications for Cylinders"⁶

2.3 Military Standards:

MIL-F-51068D Filter, Particulate High Efficiency, Fire Resistant⁷

MIL-F-51079A Filter, Medium Fire Resistant, High Efficiency⁷

MIL-STD-45662 Calibration Systems Requirements⁷

2.4 Other Standards:

ANSI/ASME N45.2.6 Qualifications of Inspection, Examination, and Testing Personnel for Nuclear Power Plants⁸

3. Terminology

3.1 Definitions of Terms Specific to This Standard:

3.1.1 *counter efficiency (CE)*—the fraction of the actual number of disintegrations of a radioactive sample that is recorded by a nuclear counter.

3.1.2 *efficiency (E)*—the percentage of the contaminant removed from a gas stream by an adsorption bed; expressed mathematically as $E = 100 - P$, where E and P are given in percent.

3.1.3 *penetration (P)*—the percentage of the contaminant (CH_3I) which passes through the equilibrated test bed of standard depth, and is collected on the backup beds during the feed and elution periods under specified conditions.

3.1.4 *relative humidity (RH)*—for the purpose of this test method, relative humidity is defined as the ratio of the partial pressure of water in the gas to the saturation vapor pressure of water at the gas temperature and pressure. At temperatures

⁴ *Annual Book of ASTM Standards*, Vol 15.05.

⁵ *Annual Book of ASTM Standards*, Vol 14.02.

⁶ Published by the General Service Administration, 18th and "F" St., N. W., Washington, DC 20405.

⁷ Available from Standardization Documents Order Desk, Bldg. 4 Section D, 700 Robbins Ave., Philadelphia, PA 19111-5094, Attn: NPODS.

⁸ Available from American National Standards Institute, 11 W. 42nd St., 13th Floor, New York, NY 10036.

below 100°C, this is the normal definition and relative humidity can range from 0 to 100 %.

3.2 *Definitions*—for additional terms relating to this standard, see Terminology D 2652.

4. Summary of Test Method

4.1 Both new and used carbons are first exposed to humid air (pressure, approximately 1 atm; temperature, 30.0°C; relative humidity, 95 %) for a *pre-equilibration* period of 16 h. During this pre-equilibration period, the test system may be run unattended with the required parameter monitoring and adequate control devices. Following pre-equilibration, the air flow is continued for a two-hour *equilibration* period, during which the acceptable variability of all parameters is reduced. The test system must be closely monitored and controlled during the final four hours of the test. Qualification of personnel to perform this testing must meet or exceed ANSI/ASME N 45.2.6—1978, Level II, which requires a combination of education and actual test system operation experience. During the *challenge* or feed period, radio-labeled methyl iodide at a mass concentration of 1.75 mg/m³ of humid air flow is passed through the beds for a period of 60 min. Following the feed period, humid air flow without test adsorbate is continued at the same conditions for a 60-min elution period. Throughout the entire test, the effluent from the sample bed passes through two backup beds containing carbon having a known high efficiency for methyl iodide. The two backup beds trap essentially all the radio-labeled methyl iodide that passes the test bed and provide a differential indication of their efficiency. At the end of the elution period, the gamma activity of ¹³¹I in the test and backup beds is measured by a gamma counter, and the percent of adsorbate penetrating the test bed is determined.

5. Significance and Use

5.1 The results of this test method give a conservative estimate of the performance of nuclear-grade activated carbon used in all nuclear power plant HVAC systems for the removal of radioiodine.

6. Apparatus

6.1 Sample Preparation Apparatus:

6.1.1 *Riffle Sampler*, in accordance with 32.5.2 of Practice E 300.

6.1.2 *Feed Funnel and Vibrator*, in accordance with the Procedure Section of Test Method D 2854.

6.2 Sample and Backup Bed Assemblies:

6.2.1 The sample bed canister and backup bed canisters must each be either a single unit capable of containing carbon to a depth of 50 ± 1 mm, or they may be assembled from two separate units each capable of containing carbon to a depth of 25 mm. Two backup canisters, each of 50 ± 1 mm total depth, are required. Canisters may be reused after being decontaminated to remove residual radioactivity. An acceptable bed construction is shown in Fig. 1 with critical dimensions noted.

6.2.2 Clamping assemblies are needed for sample and backup beds. The only requirements for these assemblies are that they provide a smooth sealing face, uniform alignment of bed canisters, and sufficient clamping force so that the leak test

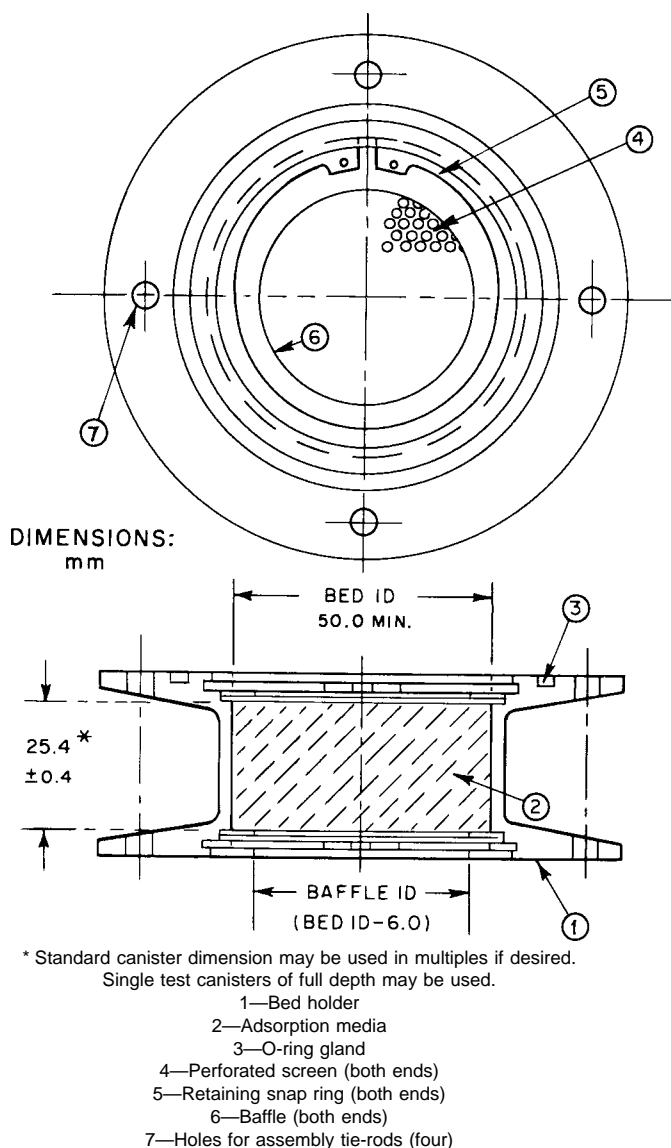


FIG. 1 Adsorption Media Test Bed Holder (Canister)

in 10.2 can be met. A suggested design for clamping assemblies is shown in Fig. 2.

6.3 A schematic of a generalized test system is shown in Fig. 3. This system is designed to operate at approximately 30°C and 95 % relative humidity, with a gas flow of 24.7 L/min at atmospheric pressure. If test conditions which differ significantly from these are required, then separate calibrations or instrumentation, or both, may be required.

6.4 *Saturator System*—This system may be a controlled temperature saturator (bubbler) or spray chamber (environmental condition generator), or any other device of sufficient stability and capacity to supply the required mass flow of water vapor at test conditions.

6.5 *Flow Generator*—This system may be an air compressor upstream of the test system or a vacuum pump downstream of the test system. A dryer, carbon adsorber, and HEPA (high-efficiency particulate air) filter are required for either system to condition the inlet air. Flow measurement and

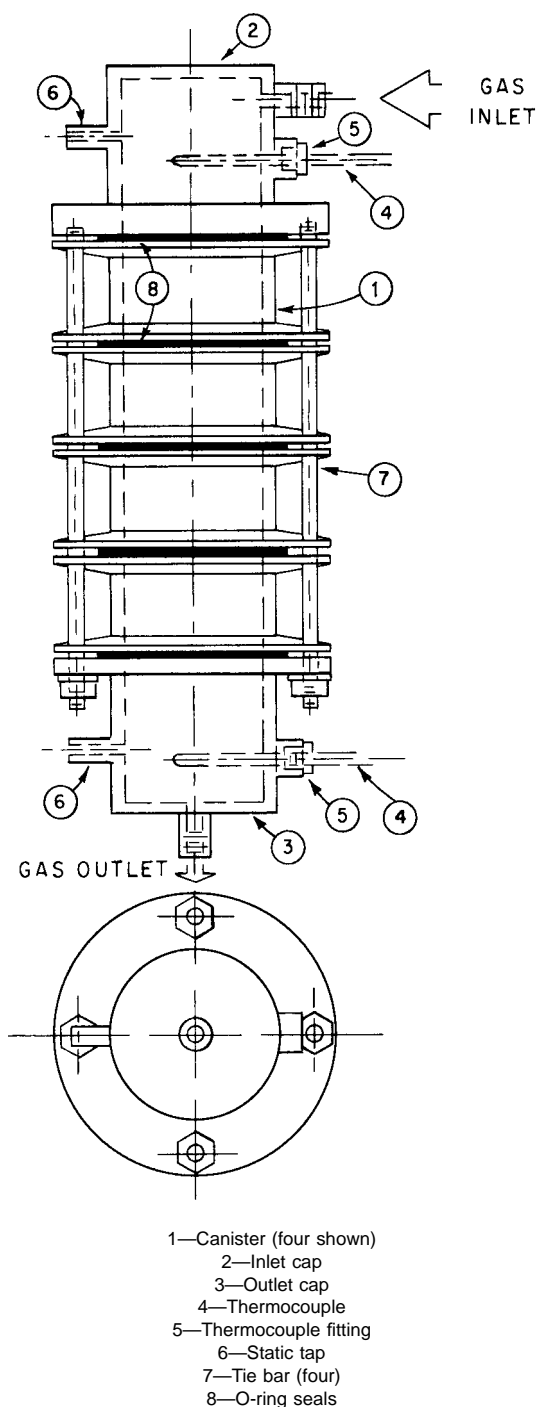


FIG. 2 Canister Assembly (Test or Backup Beds)

control should be accurate and stable to within $\pm 2\%$ of specified flow rate. System capacity shall meet or exceed the volumetric flow requirements as calculated from the specified face velocity. A surge tank and pressure control valve should be employed in either type of system to ensure stable and accurate flow measurement and control. For safety, it is important that the pressure system be equipped with a pressure relief valve. It is important that the pipe diameter and inlet air filters for a vacuum system be designed and maintained to minimize the pressure drop from ambient to ensure that the specifications for absolute pressure at the test bed are met (see Table 1).

6.6 *Moisture Separator*—A moisture separator should be used to protect the HEPA filter by removing large quantities of entrained particulate water, if present, after humidification. A HEPA filter (or equivalent) is required to function as a final droplet trap to remove small amounts of fine particulate water from the carrier gas ahead of the test bed.

6.7 *Adsorbate Supply*—This system shall consist of a stainless steel cylinder, pressure gage, pressure regulator, and a flow regulator capable of providing a steady flow of the challenge gas, that is, radio-labeled methyl iodide in dry nitrogen, for the duration of the test feed period. The point of injection into the main gas flow of the system must be such that the cross-sectional distribution of the adsorbate at the face of the test bed can be ensured to be homogeneous. A mixing chamber, baffles, glass beads, etc. should be used to achieve adequate mixing.

6.8 *Constant Temperature Cabinet*—An enclosure and associated thermoregulatory system must be used that is capable of maintaining the inlet gas stream temperature from the point of humidity control to the test bed, and the surface temperature of all carbon canisters at $30.0 \pm 0.2^\circ\text{C}$, except during the first several hours of pre-equilibration, during which the adsorption of water by the carbons may increase these temperatures slightly. All tubing downstream of the moisture separator, the carbon bed canisters and holders, temperature and pressure ports and measurement devices upstream and downstream of the test bed, and an upstream port and tubing to the dew point sensor all must be included within the temperature controlled enclosure. In addition, it is highly recommended that a bypass line be included around the sample bed assembly to avoid exposing the sample to start-up conditions possibly outside those specified.

6.9 *Flow Measurement and Control*—Mass flow controllers, control valve and orifice meter, rotameter or any other device with adequate stability and demonstrated measurement system accuracy of $\pm 2\%$ of specified flow rate at the test conditions. All flow measuring devices must use correction factors for interpretation and application to actual test conditions. These factors must be carefully predetermined and documented. No flow measuring device should be located directly downstream of the test bed such that it is subject to variable temperature and humidity conditions during a test as a result of water absorption by the carbon.

6.10 *Interconnecting Tubing*—Tubing must be non-reactive with methyl iodide, such as stainless steel, glass, etc., with a minimum of $\frac{3}{8}$ -in. outside diameter, and kept as short as possible to reduce the system pressure drop.

6.11 *Temperature Measurement Devices*—Platinum resistance thermometers (RTDs) with certified accuracy and measurement system calibration to $\pm 0.2^\circ\text{C}$ are required for the measurement of test bed inlet air temperature and dew point. The placement of the air temperature RTD must be such that it is not subject to radiative heating from the test bed. It is critical to the exact measurement of relative humidity that the chilled mirror RTD and the inlet air temperature RTD be matched exactly ($\pm 0.1^\circ\text{C}$) or that differences are exactly corrected for in relative humidity calculations.

6.12 *Pressure Measurement Devices*—Absolute pressure measuring devices must be accurate to within $\pm 1\%$ of the

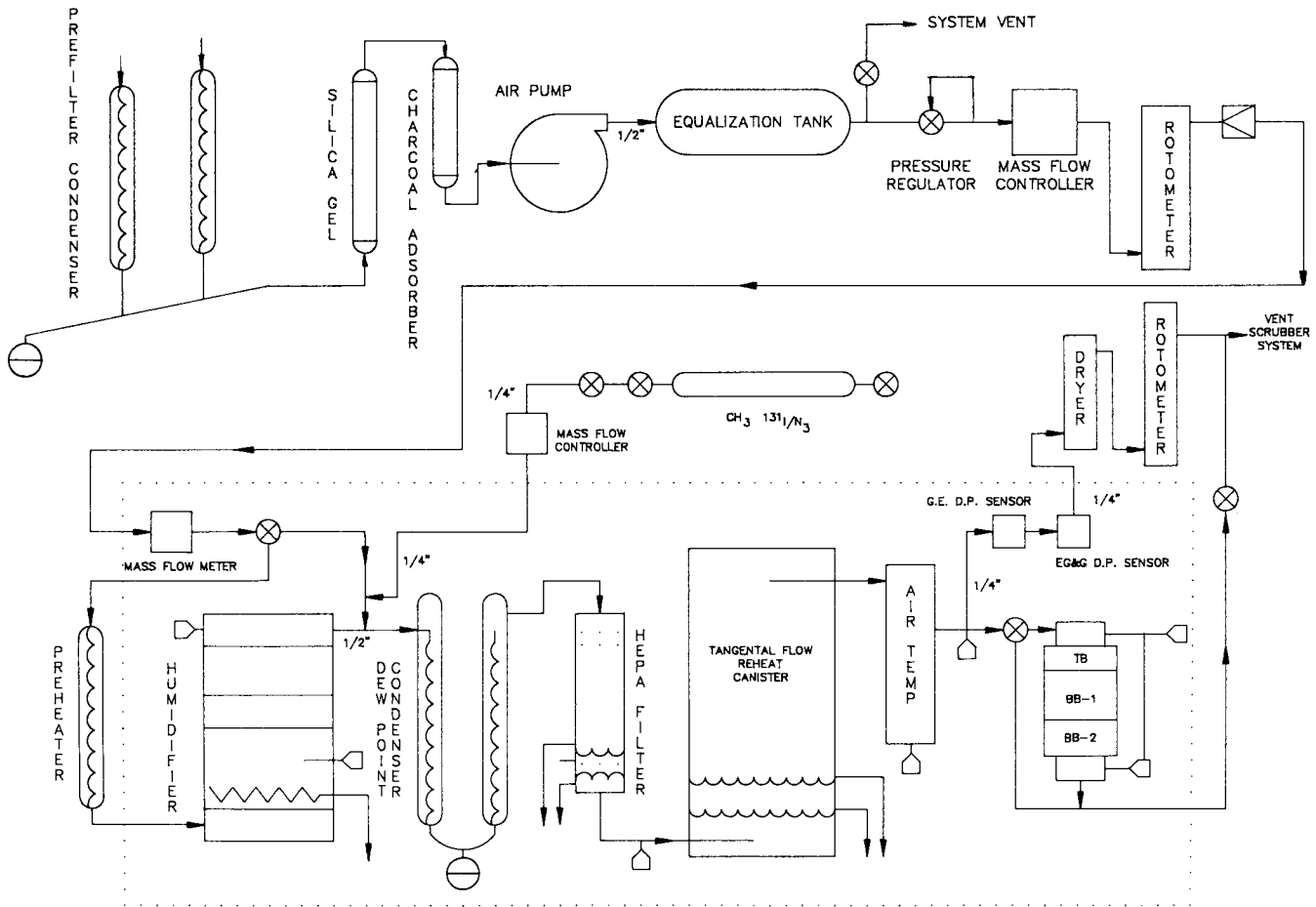


FIG. 3 Schematic of Activated Carbon Test System

TABLE 1 Parameter Specifications

NOTE 1—Temperature, relative humidity, pressure, and gas velocity are to remain constant within the specified maximum variations throughout the entire test, that is, for each test period. Parameter excursions outside the limits specified in this table will invalidate the test results. If results based on a test containing such variations must be reported, then these variations must be noted in the comments section of the external report form and flagged in the parameter monitoring portion of the internal report.

Parameter	Pre-Equilibration (First 16 h)	Equilibration, Chal- lenge, and Elution (Final 4 h)
Temperature, °C	30.0 ± 0.4	30.0 ± 0.2
Range	29.6 to 30.4	29.8 to 30.2
Relative humidity, %	91.0 to 96.0	93.0 to 96.0
Flow, m/min	12.2 ± 0.6	12.2 ± 0.3
Face velocity, m/min	11.6 to 12.8	11.9 to 12.5
Absolute pressure, kPa	101 ± 5	101 ± 5
Bed diameter and depth, mm	50 ± 1	50 ± 1
Adsorbate concentration, mg/m ³	...	1.75 ± 0.25
Test durations:		
Pre-equilibration, h	16.0 ± 0.1	...
Equilibration, min	...	120 ± 1
Challenge, min	...	60 ± 1
Elution, min	...	60 ± 1

brated as a unit to ensure system accuracy. The differential pressure device required for measurements across the test bed must be capable of detecting a 0.25 kPa pressure difference and be accurate to within ± 2 % of the reading at the normal operating differential pressure.

6.13 *Humidity Measurement*—A humidity measuring device with demonstrated accuracy and calibration to ± 0.2°C at 30°C and 95 % relative humidity is required for measurement of relative humidity of the gas stream immediately upstream of the test bed. Note that for these test conditions only an optical dew point hygrometer currently meets these specifications. A secondary check on this measurement device is required to ensure that calibration offset has not occurred. This secondary device may be another optical dew point hygrometer, wet bulb/dry bulb, or any other device with a demonstrated accuracy of ± 3 % relative humidity. For this application, absolute accuracy is less important than reliability and reproducibility.

6.14 *Data Recording*—To meet the reporting requirements for internal reports (see 14.3), the use of potentiometric recorders or a data logger capable of recording temperatures, pressures, flow, and relative humidity data a minimum of once every five minutes is required.

6.15 *Gamma Detection System*—Any reliable and efficient detection system for gamma rays of 365 keV energy is permissible, provided it produces actual counts of gamma

reading at standard atmospheric pressure and be capable of digital or analog output to meet the specified recording requirements. The sensors and output devices must be cali-

photons and not an analog rate output, and provides adequate elimination of any interferences that might be present. Systems equipped with internal computers that make calculations or corrections for such things as dead time, counting efficiency, decay rates, etc. are also permissible, provided they give accuracy equal to that required in this standard. In many cases, either thallium-activated sodium iodide well counters or single- or multi-channel gamma spectrometers that use thallium-activated sodium iodide, lithium-drifted germanium, or intrinsic germanium detectors can be used with appropriate professional guidance, proper shielding, and preferably graded absorbers of cadmium and copper to reduce the production of X-rays in the shielding. When significant gamma-emitting interferences are absent and penetration of iodine-131 (^{131}I) through the test bed is greater than a few tenths of one percent, either the principal ^{131}I photopeak at 364.46 keV or the entire spectrum including the Compton continuum can be used. However, when the penetration is low, a multi-channel spectrometer with a germanium detector will be required for the most accurate measurements. This is necessary to identify the ^{131}I in the presence of the lead-214 daughter of radium-226 generally present in carbon, and to permit Compton correction for gamma-emitters such as potassium-40 and daughters of radium-226. The test bed, backup beds, and carbon backgrounds must all be counted under identical geometrical conditions. This requires the use of a jig on the detector to hold each counting bottle in identically (± 1 mm) the same position.

7. Materials

7.1 *Air*—Compressor, used for pressure systems, should be of the oil-free type to minimize injection of hydrocarbons into the system. Line filters shall consist of a dryer, activated carbon, and HEPA filters and shall be adequately sized and maintained.

7.2 *Water*—Specification D 1193 Type III reagent water, deionized or distilled, or both, must be used for water-vapor generation.

7.3 *Radio-Labeled Methyl Iodide*—Methyl iodide solution should be stored in the dark below 0°C to slow its decomposition to I_2 . The activity of ^{131}I should be such that the total activity incident upon the detector in the entire spectrum from the test bed is between 10^3 and 5×10^5 counts/min.

7.4 *Backup Bed Carbon*, with a penetration of no more than 3 % when tested by this test method. The calculation of the efficiency of the first backup bed is required for each test.

7.5 *HEPA Filter Media*—In accordance with MIL-F-51079A. If a pleated filter is used in place of a flat sheet, it shall be constructed in accordance with MIL-F-51068D.

8. Hazards

8.1 **Warning: Overpressure**—The contaminant feed system makes use of dry nitrogen from standard high-pressure gas cylinders, a contaminant feed cylinder which is pressurized, and associated regulators and tubing for transport of the contaminant gas. This system must be designed with adequate safety factors. Standards for the fabrication of such pressure vessels and associated fittings are contained in 49 CFR 173.34. Elastomeric seals must be replaced on a regular basis or if damaged to ensure system integrity.

8.2 **Warning: Radioactivity**—The radiotoxicity of ^{131}I is well documented. The species used in this test is very volatile and easily inhaled. Rigorous health physics procedures must be followed whenever handling the radioisotope and routine thyroid counting must be provided for laboratory personnel. The system must be adequately vented through a filter system capable of handling the maximum possible contaminant release. Radiation shielding and dosimetry must be provided to limit and monitor worker exposures in compliance with federal and state nuclear regulations. Personnel access to the system should be strictly limited and workers should be trained in health physics procedures.

9. Sampling

9.1 Guidance in sampling granular activated carbon is given in Practice E 300.

9.2 Occasionally, samples received for laboratory analysis are not of sufficient quantity to fill the test canister to the standard depth of 5.08 cm (2 in.). If possible, another sample should be obtained. However, this is not always possible because of critical time constraints. If a substandard quantity of carbon must be tested, the resulting actual penetration value must be converted to the predicted penetration at the standard depth and noted as such on both the internal and external report forms. This conversion is based on the log-linear function of penetration with depth and is expressed as in Eq 1.

$$P_s = 100 \exp\{[\ln(P_a/100)](5.08/d)\} \quad (1)$$

where:

P_s = predicted penetration at the standard depth, %,

P_a = actual penetration at the substandard depth, %, and

d = substandard depth, cm.

10. Preparation of Apparatus

10.1 Fill a set of back-up canisters and test canister(s) using the procedure in Test Method D 2854, with the delivery funnel modified to accommodate the canister diameter. Count the background radioactivity in each canister (both test and back-up) according to 12.7 and 12.8, then refill the canisters using the procedure in Test Method D 2854.

10.2 Leak testing of the system designed to test carbon at standard atmospheric pressure should be performed on a routine basis, and is recommended prior to each test. This test should be a pressure decay test for pressure induced flow systems or a vacuum decay test for vacuum induced flow systems. The system should be pressurized to approximately 125 kPa or depressurized to approximately 75 kPa with filled test and backup canisters in place. The system should then be isolated, that is, sealed at all atmospheric connections, and the pressure change with time recorded. The system should be made as leak tight as possible. However, a maximum leak rate should not exceed 5 kPa pressure change in 30 min to ensure the accuracy of flow measurement. A more stringent leak rate requirement may be necessary because of health physics considerations. These calculations should be performed by each laboratory for each unique situation.

10.3 To ensure the accuracy of relative humidity measurement, a check of the differential pressure between the test bed and the sensor of the optical dew point hygrometer should be

performed initially and whenever the system is modified, or semi-annually. This check should be performed with the test and backup canisters filled with carbon and with the system operating at the standard conditions specified, that is, temperature, flow, relative humidity, pressure, etc. This differential pressure should not exceed 1 kPa or must be corrected for either in the calculation of relative humidity, or preferably, by modification of the test system to reduce the pressure difference.

10.4 Correction factors for flow measurement devices, especially rotameters, must be predetermined by the comparison of accurate pressure (± 1.0 kPa) and temperature ($\pm 0.2^\circ\text{C}$) measurements made at the device and at the test bed under normal operating conditions. Correction of the measured flow to the actual flow at test bed for temperature, pressure, and water vapor can be made using Eq 2:

$$Q_A = \frac{(Q_M)(T_A)(P_M)}{(T_M)(P_A)} \left(1 + \frac{P_{H_2O}}{P_A} \right) \quad (2)$$

where:

- Q_A = actual gas flow at the test bed, L/min,
- Q_M = flow of gas at the flow measurement device, L/min,
- T_A = actual gas temperature at the test bed, $^\circ\text{K}$,
- T_M = gas temperature at flow measurement device, $^\circ\text{K}$,
- P_A = actual gas pressure at the test bed, kPa,
- P_M = gas pressure at flow measurement device, kPa, and
- P_{H_2O} = partial pressure of water vapor at test bed, kPa.

10.4.1 No flow measuring device should be located directly downstream of the test bed such that it is subject to variable temperature and humidity conditions during a test as a result of water adsorption by the carbon.

11. Calibration

11.1 The RTDs used to measure the test bed inlet gas temperature and the chilled mirror temperature of the dew point hygrometer must be calibrated together every six months by the National Institute of Standards and Technology (NIST) or a third party capable of certification to NIST standards. Check the hygrometer accuracy at the same time. In addition, the primary flow measuring device should also be calibrated every six months by NIST or a third party capable of certification to NIST standards. Other temperature, flow and pressure measuring devices, balances, radiation survey meters, and gamma detection systems shall be part of an established laboratory calibration program as specified in MIL-STD-45662, with initial calibration intervals of one month and periodic calibration intervals determined on the basis of instrument stability, purpose, and degree of usage. It is important to note that the measurement systems, that is, sensors, associated electronics, displays, etc., must be calibrated individually and together to ensure that the particular parameter monitoring system meets the accuracy and precision requirements.

12. Procedure

12.1 *Stabilization Period*—Install the filled test and backup canisters in the system. Perform the leak test described in 10.2 to ensure system integrity. Bring the system up to operating conditions (see Table 1) prior to the start of pre-equilibration.

The duration of this stabilization period is recommended to be a minimum of 2 h, during which the canisters and carbon must come to thermal equilibrium at the specified test temperature.

12.2 *Pre-Equilibration Period (for new and used carbons)*—Pass air with 95 % relative humidity (range, 91.0 to 96.0 %) at a temperature of $30.0 \pm 0.4^\circ\text{C}$ through the beds for 16.0 ± 0.1 h. There will be a sudden change in relative humidity at the start of pre-equilibration that will produce a rapid temperature rise in the carbon caused by the heat of adsorption of water. The extent of this temperature rise cannot be controlled and depends upon the condition of the carbon. The conditions at the test bed inlet must be held at the specified conditions (see Table 1).

12.3 *Equilibration Period (for new and used carbons)*—Continue to pass air with 95 % relative humidity (range, 93.0 to 96.0 %) at a temperature of $30.0 \pm 0.2^\circ\text{C}$ through the beds for 120 ± 1 min. This is the critical time prior to challenge during which all conditions must be within their most stringent control limits.

12.4 *Challenge Period (Feed)*—Humid air flow is already at the prescribed conditions (see Table 1) at the start of the feed period. Maintain flow at $30.0 \pm 0.2^\circ\text{C}$ at 95 % relative humidity (range, 93.0 to 96.0 %) for 60 ± 1 min with 1.75 ± 0.25 mg/m³ of radio-labeled CH₃I in the total system gas flow provided by the addition of a small and continuous flow of the challenge gas during the feed period.

12.5 *Elution Period*—To evaluate the ability of the carbon to hold the adsorbate once it is captured, continue flow at the end of the feed period without change of the flow rate, relative humidity, or temperature for a period of 60 ± 1 min (see Table 1).

12.6 Monitor and record gas stream temperatures upstream and downstream of the test bed. A decrease in the downstream temperature is indicative of bed flooding, where free water condenses in the sample bed; in this case, the test should be aborted. Monitor temperatures, pressures, humidity, and air flow at least every 5 min or continuously by means of a data logger or other recording device. Also monitor the pressure drop across the bed. Erratic readings or a substantial increase in this differential pressure is an additional indication of test bed flooding.

12.7 At the end of the elution period, switch the system to bypass mode and shut down the system. Remove and disassemble test and backup beds. Transfer the carbon from the canister to a jar with a volume at least twice that of the carbon. Roll and tumble the jar gently for 1 min to homogenize the carbon thoroughly. Then, transfer the blended carbon to a plastic counting bottle sufficiently large to accommodate all of the carbon packed to some reproducible height.

12.8 *Counting Conditions*—It is never permissible to count the ¹³¹I activity in the test and backup canisters directly as obtained from the test. The carbon from each canister must be counted in a counting bottle having rigid vertical sides and uniform wall thickness and internal diameter, and be packed to a standard and reproducible height. The packing density is not particularly important for gamma counting within the range of densities likely to occur, but the geometrical angle subtended between the sample activity and the detector is of great

importance if accurate results are to be obtained. Because penetration is simply a ratio of counting rates, absolute counting efficiencies are not necessary unless an independent determination of the total quantity of radio-iodine is desired. The carefully filled counting bottles should be placed on the detector in a jig that will guarantee reproducible positioning, that is, within one millimeter. Count for whatever period of time is necessary to obtain the desired sensitivity and precision. Calculate the results and propagate the statistical uncertainties as described in 12.9 through 12.14.

12.9 Gamma Count Corrections—If each test and backup carbon is homogenized and counted under identically the same conditions of height and geometry in identical counting bottles, no corrections are necessary for attenuation of the gamma rays by either the carbon or the counting bottle, or for geometry or counting efficiency. Corrections for dead time in the counter system are avoided by simply controlling the quantity of radio-iodine used in each test. This simple and expedient method also minimizes costs of tracer, both internal and external dose to those operating the test system, and waste disposal. The principal corrections required are those for decay of the ^{131}I activity and for the carbon background, including the Compton contribution from higher energies when such interferences are present and a spectrometer must be used. When counting times can be kept short and all samples are counted with dispatch, even the decay correction can be made negligible, although this is an unnecessary limitation on the procedure.

12.10 Counting Efficiency—Determination of the counting efficiency is unnecessary as far as the measurement of penetration is concerned, and is undesirable because of the extra time and the standard ^{131}I solution that are required. However, if a separate determination of the quantity of ^{131}I used is desired, the counting efficiency can be determined rather simply. Fill a standard counting bottle with carbon to the standard height used in the test procedure. Determine the volume of water required to fill the interstitial voids just to the top of the carbon. Count this sample under the standard counting conditions to determine the blank. Measure an exact volume of a standard solution of ^{131}I of such activity that dead time effects are kept below about 1 %. Dilute with water in a non-wetting plastic beaker to the volume determined previously to fill the carbon voids. Repack another counting bottle with carbon to the standard height and add the diluted iodine solution. Count under the identical conditions being used for the test samples, and as were used for the blank. The slight difference in attenuation of the gamma rays due to the water added will certainly be much less than the errors due to non-homogeneous absorption of small volumes of tracer in the carbon without water present. The counting efficiency is given by Eq 3:

$$CE = (R_s - R_b) (\exp 0.003592 t) / A_s \quad (3)$$

where:

CE = counting efficiency, net counts-per-minute/disintegrations-per-minute of ^{131}I at the same time,

R_s = counting rate of ^{131}I standard, counts/min,

R_b = counting rate of background, counts/min,

A_s = activity of ^{131}I standard taken, as of time of standardization of original solution, disintegrations/min,

t = length of time between standardization of original solution and counting, and

0.003592 = disintegration rate/h for 8.041-day ^{131}I .

12.11 Decay Correction—If the carbon from different canisters from a given test are counted at significantly different times, they must each be corrected for decay to some common base time in order that the counting rates obtained be comparable. Although other times can be used for zero time, it is convenient to correct all counts back to midnight of the first day in which counting for a particular test was done. Using the 24-h clock, times can be read directly from a watch to the nearest quarter hour, and the various beds can be counted in any order. For ^{131}I compounds, the correction is given in Eq 4:

$$R_0 = R_t \exp(0.003592 t) \quad (4)$$

where:

R_0 = equivalent counting rate at time zero (midnight),

R_t = counting rate at time t , and

t = elapsed time between zero time and counting time, h.

12.11.1 Generally, the counting interval will be small compared to the decay time so that the beginning of the count can be used to calculate the elapsed time. However, the midpoint of the counting interval gives better accuracy and is just as convenient to use. It should be emphasized that the decay correction should be applied to the net counting rate after correction for background; that is, obviously the background does not decay with the half-life of ^{131}I .

12.12 Radioactivity and Counting Times—Corrections for dead-time losses of counting rate due to overloading the counting system by using too much activity can never be made as accurately or conveniently as avoiding such losses from the beginning. Such losses are particularly undesirable when the penetration is low and very large errors are incurred for the test bed with virtually no error from this source for the backup beds. Locating the test bed counting bottle some distance from the detector and counting only a small fraction of the total flux emitted to bring it within the proper range is neither desirable nor prudent. Consequently, the activity of the ^{131}I used in each test should be such that the test bed will not contain more than about 5×10^5 counts/min of total activity incident upon the detector and associated electronics to avoid the increased uncertainties of making large corrections for dead-time effects. When gamma spectrometry is used, this applies to the total events being processed by the analog-to-digital converter (ADC) for the entire spectrum, not just those of interest in the 365 keV photopeak. On the other extreme, the activity used should be kept sufficiently high to give 10^3 to 10^5 counts/min in the test bed to keep the sensitivity and precision of the measurement high without requiring prolonged counting times, particularly when using just the photopeak in gamma spectrometry. Thus, the activity on the test bed can be measured with a relative standard deviation of a few tenths percent with counting times of a very few minutes. For carbon backgrounds and backup beds containing low activity, the counting times should be 30 min to 1 h with gross counters or 1 to 2 h with

spectrometers using just the iodine photopeak. This will permit the iodine activity in the backup beds to be detected above the carbon background and the Compton continuum with reasonable statistical certainty.

12.13 *Determination of Contaminant Mass*—The efficiency factor can provide an independent means for determining the mass of the contaminant. The equation is:

$$M = [\Sigma(R_t - R_b)] / (2.22 \times 10^6 E \times A_s) \quad (5)$$

where:

M = mass fed during test, g,

R_t = count rate for carbon bed, corrected to base time, counts/min,

R_b = background count corresponding to R_t , counts/min,

E = efficiency factor for gamma counter, and

A_s = contaminant specific activity at base time, $\mu\text{Ci/g}$.

12.14 *Contaminated Samples*—Occasionally, samples are received for testing that have already been contaminated with various gamma-emitting radionuclides such as ^{137}Cs , ^{60}Co , ^{131}I , etc., during use in a reactor environment. Because of the wide variability in the type and quantity of activity that might be present, only general directions can be given. However, enough sample must be obtained for two complete tests.

12.14.1 A gamma spectrometer might be required to obtain sufficient resolution to separate the ^{131}I peak from contaminants having peaks in the same energy region.

12.14.2 A jig will be needed to hold the test sample reproducibly some distance from the detector to avoid overloading the system and causing unacceptable dead time effects. The distance will have to be sufficiently large that the contaminant activity will not cause more than a few percent dead time so that sufficient ^{131}I can be used in the test to give the precision desired at the increased distance without increasing the dead time prohibitively. The increase in total activity will also require additional health physics protection such as shielding of the detector and sample, and, possibly, ventilation. Unfortunately, the use of smaller samples or dilution with other carbon are not acceptable alternatives. Blanks and backup beds may be counted directly over the detector to obtain higher precision in shorter counting times provided the exact ratio of the counting rates between the two distances is determined and used in the calculation of penetration.

12.14.3 If one of the contaminants happens to be ^{131}I itself, it will have to be demonstrated that it will not elute during the test. Also, the activity of methyl iodide used in the test will have to be increased sufficiently over that already present that the net activity added can be measured with the precision desired. Consequently, the sample must be tested under the specified conditions without the addition of methyl iodide to determine the apparent penetration due to elution of iodine already on the sample. If the ^{131}I activity on the first backup bed is negligible, another sample may be tested with the methyl iodide challenge. The same sample used in the blank run should not be used for the test run because of uncertainties in how the blank run might have changed the distribution and elution characteristics of the iodine on the carbon. If ^{131}I activity eluted from the sample is relatively small compared to that to be obtained from the test, the activity eluted on the blank test can be subtracted from the test run as a correction

with the understanding that the reliability of the results will decrease as the blank correction increases.

13. Calculation

13.1 *Penetration*—All counting must be corrected for the corresponding background counting rates before other corrections are applied. The net activities are then corrected for decay from counting time to some common time zero before calculation of penetration. The half-life and disintegration constant of ^{131}I are 8.041 days and 0.003592/hour, respectively. Because counting efficiencies are not required when counting conditions are kept the same for all fractions, calculate percent penetration using Eq 6:

$$P = 100 (B + C) / (A + B + C) \quad (6)$$

where:

P = penetration, %,

A = net counting rate of the ^{131}I activity collected in the test bed, counts/min,

B = net counting rate of the ^{131}I activity collected in the first backup bed, counts/min, and

C = net counting rate of the ^{131}I activity collected in the second backup bed, counts/min,

for beds of equal depth, counted under identical conditions, and corrected for decay.

Obviously, efficiency of the test bed can be given in Eq 7 as:

$$E = 100 - P = (100 \times A) / (A + B + C) \quad (7)$$

where:

E = efficiency of test bed, %.

The efficiency with which the ^{131}I activity passing the test bed was retained by the first backup bed is, similarly:

$$E = (100 \times B) / (B + C) \quad (8)$$

where:

E = efficiency of first backup bed, %.

The calculation given by Eq 8 is important in showing whether or not all the activity passing the test bed was collected, and whether or not the proper blank corrections are being made. When penetration is low and corrections for blanks or the Compton continuum, or both, are not made, C can be larger than B and the results will be grossly inaccurate. Specific equations are given in Annex A2 and Annex A3 for calculating both penetration of the test bed and efficiency of the first backup bed from the raw data obtained in a gross counter or in a gamma spectrometer, respectively.

13.2 *Error Propagation*—The uncertainty with which the measurement was made, expressed as one standard deviation, must be calculated for each measured value of penetration of the test bed and efficiency of the first backup bed. The uncertainty must include every statistical uncertainty incurred anywhere in the entire measurement process, all propagated to the final result by the well-known law of propagation of error. Thus, the standard deviation of percent penetration defined above is given by Eq 9:

$$S_P = 100 \frac{\{(B + C)^2 (S_A)^2 + (A)^2 [(S_B)^2 + (S_C)^2]\}^{0.5}}{(A + B + C)^2} \quad (9)$$

where:

S_p = standard deviation of percent penetration, and
 S = estimate of the standard deviation of the net counting rates collected in this test.

It should also be noted that the standard deviation of efficiency by the test bed has the same absolute value as that of penetration of the test bed; that is, $S_E = S_p$. Similarly, the standard deviation for percent efficiency of the first backup bed is given by Eq 10:

$$S_{E, bu} = 100 [C^2 (S_B)^2 + B^2 (S_C)^2]^{0.5} / (B + C)^2 \quad (10)$$

Specific equations are also given in Annex A2 and Annex A3 for calculating the standard deviations of both penetration of the test bed and efficiency of the first backup bed from the raw data obtained in a gross counter and in a spectrometer, respectively.

14. Reports

14.1 Two separate reports are to be written for each test of a sample of activated carbon. The first, or external, report is intended for clients and contains only information essential for their use. The second, or internal, report contains all parameter monitoring and radioactivity counting data and should be kept on file together with a copy of the external report as a cover page at the test laboratory for a period of no less than one year. These laboratory reports may be used for test validation if there are questions regarding results and may also be used for quality assurance (QA) audit purposes.

14.2 *Information Presented in Both Internal and External Reports:*

14.2.1 Name, address, and phone number of laboratory making the test.

14.2.2 Name and signature and experience at ANSI/ASME Level II of technician performing test, and name and signature and ANSI/ASME qualification level and experience of supervisor approving test.

14.2.3 Date of test.

14.2.4 Source of sample and sample identification.

14.2.5 The nominal test conditions; that is, the specified test period durations, temperature, relative humidity, flow, etc.

14.2.6 Overall time-weighted average and standard deviation for temperature, relative humidity, flow, and pressure.

14.2.7 Any notable deviations (see note in Table 1) from the specified conditions must be included in a comment section following the nominal test condition section.

14.2.8 The penetration of the test bed must be reported as a finite number to the proper number of significant figures as indicated by the value of the standard deviation, including negative signs if obtained. No subjective judgements are permitted, such as rounding negative results to zero or reporting results as less than some arbitrary figure. There must be a statement included after the penetration value which states that the standard deviation included is simply that associated with the precision of the radio-analytical result and that the overall accuracy of the penetration result must be estimated from the test method bias and precision data which indicates an accuracy of approximately $\pm 25\%$ at the 1% penetration level, and $\pm 6\%$ at the 10% penetration level for laboratories which rigorously follow the test protocol. These reporting require-

ments are illustrated in Annex A4.

14.3 *Information Required for Internal Report Only:*

14.3.1 Maximum, minimum, average, and standard deviation for gas temperature immediately upstream of the test bed for each of the test periods.

14.3.2 Maximum, minimum, time-weighted average, and time-weighted standard deviation for absolute pressure at the test bed for each of the test periods.

14.3.3 Maximum, minimum, time-weighted average, and time-weighted standard deviation for relative humidity as measured just prior to the test bed for each of the test periods.

14.3.4 Maximum, minimum, time-weighted average, and time-weighted standard deviation for the actual gas flow for each of the test periods.

14.3.5 The penetration of the test bed and the efficiency of the first backup bed will be accompanied by an estimate of the statistical uncertainty with which each measurement was made, reported as one standard deviation of all random uncertainties incurred in the entire measurement process, not merely the standard deviation of sample counts. All raw data obtained will also be reported along with the calculated result, including total counts, counting times and decay times of the test bed, all backup beds, carbon backgrounds, etc. (see Annex A4).

15. Precision and Bias

15.1 *Precision*—The values in these statements were determined using data from six laboratories which participated in the Second NRC/INEL Interlaboratory Comparison.⁹ Using the method of analysis in Practice E 691 presented in Annex A5, the precision of this test method based on the interlaboratory test results is as follows:

15.1.1 *Repeatability*—The difference between successive results obtained by the same operator with the same apparatus under constant operating conditions on identical test materials would, in the long run, in the normal and correct operation of the test method exceed the following values only in one case in twenty:

Repeatability = 0.76 at 1% Penetration
 (95% Confidence Interval: 0.32 to 1.85% Penetration)

Repeatability = 1.77 at 10% Penetration
 (95% Confidence Interval: 8.30 to 11.84% Penetration)

15.1.2 *Reproducibility*—The difference between two single and independent results obtained by different operators working in different laboratories on identical material would, in the long run, exceed the following values only in one case in twenty:

Reproducibility = 0.77 at 1% Penetration
 (95% Confidence Interval: 0.31 to 1.85% Penetration)

Reproducibility = 1.77 at 10% Penetration
 (95% Confidence Interval: 8.30 to 11.84% Penetration)

15.2 *Bias*—Bias depends on exact conformance to the empirical conditions of the test. Interlaboratory comparisons have shown that results from laboratories which do not rigorously follow the specifications for test system design,

⁹ See the Final Technical Evaluation Report for the Nuclear Regulatory Commission/Idaho National Engineering Laboratory Activated Carbon Testing Program, EGG-CS-7653, April 1987.

operation, and calibration often exhibit a very significant bias. This bias cannot be corrected for because of the non-uniformity

of the effects of variations of the specified parameters and procedures on different carbons.

ANNEXES

(Mandatory Information)

A1. ADDITIONAL GUIDANCE FOR USE OF TEST METHOD D 3803

A1.1 The 30°C, 95 % relative humidity methyl iodide test is the most reliable test method to establish the methyl iodide removal efficiency of any adsorbent. However, nuclear facilities often require test parameters (temperature, humidity, etc.) which are based on different operating conditions. When tests are required to be performed either under Test Method D 3803 or any other conditions following the ASTM test procedure, the parameter tolerances need to be tightened for both new and used carbon testing. See Fig. A1.1

A1.1.1 The effect of the variation in relative humidity on the radio methyl iodide penetration is shown on Fig. A5.1 from EGG-CS-7653.⁹

A1.2 The following maximum parameter tolerances were found to result in acceptable reproducibility in several of the test laboratories:

Temperature, °C	± 0.2
Relative humidity, %	+ 1, -2
Hours	± 0.1
Minutes	± 1.0
Gas velocity, m/min	± 0.3
Pressure, kPa	± 5
Bed depth, mm	± 1.0

A1.3 Recommendations:

A1.3.1 It is recommended that the tolerances given in Test Method D 3803 or in any other radioiodine test procedures used be revised to the above tolerances.

A1.3.2 To consistently meet these tolerances, the experience of the round robin performed indicates the requirement of frequent NIST traceable calibration of sensors and the continuity in data logging and parameter control.

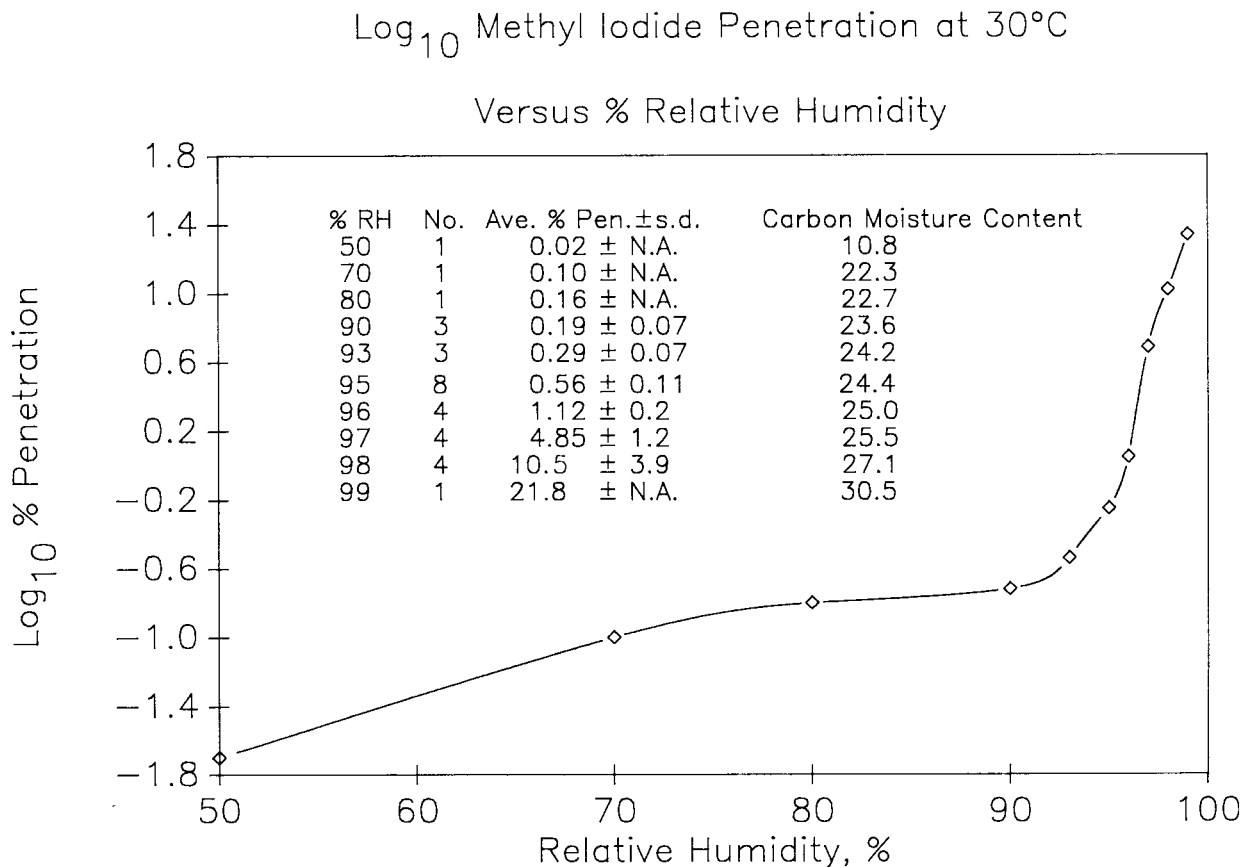


FIG. A1.1 Results of Sensitivity Testing of New, Co-impregnated, 2N Carbon Using the IC Protocol and Varying Only Relative Humidity

A1.3.3 The Committee on Nuclear Air and Gas Treatment (CONAGT) and NRC-INEL round robins have indicated that the humidity pre-equilibration at 30°C for used carbons results

in a more conservative test than the nonpre-equilibration required by Test Method D 3803.

A2. CALCULATION OF THE PENETRATION OF THE TEST BED AND EFFICIENCY OF THE FIRST BACKUP BED AND THEIR ASSOCIATED UNCERTAINTIES FROM DATA OBTAINED USING A GROSS GAMMA COUNTER WITHOUT ENERGY DISCRIMINATION

A2.1 To calculate the penetration of the test bed and efficiency of the first backup bed from raw data obtained in a gross counter, apply the following set of equations:

$$P = 100 (B + C)/(A + B + C) \quad (A2.1)$$

$$E = 100 A/(A + B + C) = 100 - P \quad (A2.2)$$

where:

P = penetration, %,

E = efficiency, %,

A = net counting rate of single test bed, counts/min,

B = net counting rate of first backup bed, counts/min,

C = net counting rate of second backup bed, counts/min,

and A , B , and C are taken at the same time and under identical counting conditions.

A2.2 To calculate the standard deviation for percent penetration under such conditions, apply the following equation:

$$S_E = S_P = 100 \frac{\{[(B + C)^2 (S_A)^2] + A^2[(S_B)^2 + (S_C)^2]\}^{0.5}}{(A + B + C)^2} \quad (A2.3)$$

where:

$$A = (X/t_x - G_1/t_{g1}) \exp(0.003592T_x),$$

$$B = (Y/t_y - G_2/t_{g2}) \exp(0.003592T_y),$$

$$C = (Z/t_z - G_2/t_{g2}) \exp(0.003592T_z),$$

$$(S_A)^2 = [X/(t_x)^2 + G_1/(t_{g1})^2] \exp(0.007184T_x),$$

$$(S_B)^2 = [Y/(t_y)^2 + G_2/(t_{g2})^2] \exp(0.007184T_y),$$

$$(S_C)^2 = [Z/(t_z)^2 + G_2/(t_{g2})^2] \exp(0.007184T_z),$$

- X = total count of test bed,
- Y = total count of first backup bed,
- Z = total count of second backup bed,
- G_1 = total count of first background,
- G_2 = total count of second background,
- t_x = counting time of test bed,
- t_y = counting time of first backup bed,
- t_z = counting time of second backup bed,
- t_{g1} = counting time of first background,
- t_{g2} = counting time of second background,
- T_x = decay time of test bed,
- T_y = decay time of first backup bed,
- T_z = decay time of second backup bed,
- 0.003592 = disintegration constant/h, ^{131}I , using a half-life of 8.041 days,
- 0.007184 = disintegration constant multiplied by two to square the exponential, and
- S = estimate of standard deviation of a single measurement from counting statistics corrected for decay and background.

A2.3 For the distribution between the two backup beds, efficiency, E_1 , of the first backup bed can be expressed as:

$$E_1 = 100B/(B + C) \quad (A2.4)$$

A2.3.1 Standard deviation, in percent, between the two backup beds, $S_{1,2}$, can be expressed as:

$$S_{1,2} = 100[C^2(S_B)^2 + B^2(S_C)^2]^{0.5}/(B + C)^2 \quad (A2.5)$$

A3. CALCULATION OF THE PENETRATION OF THE TEST BED AND EFFICIENCY OF THE FIRST BACKUP BED AND THEIR ASSOCIATED UNCERTAINTIES FROM DATA OBTAINED USING A GAMMA SPECTROMETER WITH ENERGY DISCRIMINATION

A3.1 To calculate the penetration of the test bed and efficiency of the first backup bed from raw data obtained in a gamma spectrometer, apply the following set of equations:

$$P = 100 (B + C)/(A + B + C) \quad (A3.1)$$

$$E = 100 A/(A + B + C) = 100 - P \quad (A3.2)$$

where:

P = penetration, %,

E = efficiency, %,

A = net counting rate of single test bed, counts/min,

B = net counting rate of first backup bed, counts/min,

C = net counting rate of second backup bed, counts/min,

and A , B , and C are taken at the same time and under identical counting conditions.

A3.2 To calculate the standard deviation for percent penetration under such conditions, apply the following equation:

$$S_E = S_P = 100 \frac{\{[(B + C)^2 (S_A)^2] + A^2[(S_B)^2 + (S_C)^2]\}^{0.5}}{(A + B + C)^2} \quad (A3.3)$$

where:

$$A = \{(X - X_c)/t_x\} - \{(G_1 - G_{1c})/t_{g1}\} \exp(0.003592T_x),$$

$$B = \{(Y - Y_c)/t_y\} - \{(G_2 - G_{2c})/t_{g2}\} \exp(0.003592T_y),$$

$$C = \{(Z - Z_c)/t_z\} - \{(G_2 - G_{2c})/t_{g2}\} \exp(0.003592T_z),$$

$$(S_A)^2 = \left\{ \frac{X + X_c}{(t_x)^2} \right\} = \left\{ \frac{G_{1c} + G_{1c}}{(t_{g1})^2} \right\} \exp(0.007184T_x),$$

$$(S_B)^2 = \left\{ \frac{Y + Y_c}{(t_y)^2} \right\} = \left\{ \frac{G_{2c} + G_{2c}}{(t_{g2})^2} \right\} \exp(0.007184T_y),$$

$$(S_C)^2 = \left\{ \frac{Z + Z_c}{(t_z)^2} \right\} = \left\{ \frac{G_{2c} + G_{2c}}{(t_{g2})^2} \right\} \exp(0.007184T_z),$$

X_c = Compton correction for X,

Y_c = Compton correction for Y, and

Z_c = Compton correction for Z.

NOTE A3.1—All counts must be made under identical counting conditions or corrections must be made for the different conditions. The Compton correction must be estimated from the average of at least five channels each above and below the peak. The ^{131}I activity must be distributed homogeneously throughout the carbon and a standard height used. Used carbon might have a different background than the new carbon in the backup beds and should be determined separately. Both backgrounds must be constant. Air backgrounds are unnecessary unless the activity in the carbon is to be evaluated.

A4. SAMPLE REPORT FORMS FOR REPORTING RESULTS

A4.1 Fig. A4.1 illustrates a sample report form for external use (see 14.1 and 14.2).

A4.2 Fig. A4.2 and Fig. A4.3 illustrate a sample report form for internal use (see Section 14). This form includes parameter monitoring and counting information. An example of a com-

pleted counting information report is given in Fig. A4.4.

TEST LABORATORY

TEST DATE: _____

Name: _____
 Address: _____

Technician Name: _____

Telephone: _____

Signature: _____
 Experience at N45.2.6 Level 2: _____

Supervisor Name: _____

Signature: _____
 N45.2.6 Qualification Level and Experience: _____

SAMPLE IDENTIFICATION: _____

CLIENT IDENTIFICATION: Name: _____
 Address: _____
 Telephone: _____

Parameter	Nominal Test Conditions Specified by Client	Actual Test Conditions, Time-Weighted Average \pm S
-----------	---	---

Inlet temperature	_____	_____
Relative humidity	_____	_____
Face velocity	_____	_____
Inlet temperature	_____	_____

	Durations
Test bed diameter: _____	Pre-equilibration: _____
Test bed depth: _____	Equilibration: _____
	Challenge: _____
	Elution: _____

Comments: _____

Test bed penetration \pm 1 standard deviation: _____ \pm _____

(Test bed efficiency = 100 - Penetration)

The standard deviation indicated above is associated with the precision of the radio-iodine measurement process. The actual accuracy of the penetration result must be estimated from the interlaboratory bias and precision data used to support the ASTM standard. This data indicates that for laboratories which rigorously follow the test method, the relative standard deviation of a 1 % penetration result is approximately \pm 25 % and of a 10 % penetration result is approximately \pm 6 %.

FIG. A4.1 External Report Form

Parameter Monitoring

Instrument Identification

Temperature measurement device: _____
 Relative humidity measurement device: _____
 Pressure measurement device: _____
 Flow measurement device: _____

Pre-equilibration period:

Duration _____ h, Monitoring frequency _____ times/h

<u>Parameter</u>	<u>Minimum</u>	<u>Maximum</u>	<u>Average</u>	<u>Std. Deviation</u>
Temperature, °C	_____	_____	_____	_____
Relative humidity, %	_____	_____	_____	_____
Absolute pressure, kPa	_____	_____	_____	_____
Actual gas flow, L/min	_____	_____	_____	_____

Equilibration period:

Duration _____ min, Monitoring frequency _____ times/h

<u>Parameter</u>	<u>Minimum</u>	<u>Maximum</u>	<u>Average</u>	<u>Std. Deviation</u>
Temperature, °C	_____	_____	_____	_____
Relative humidity, %	_____	_____	_____	_____
Absolute pressure, kPa	_____	_____	_____	_____
Actual gas flow, L/min	_____	_____	_____	_____

Challenge period:

Duration _____ min, Monitoring frequency _____ times/h

<u>Parameter</u>	<u>Minimum</u>	<u>Maximum</u>	<u>Average</u>	<u>Std. Deviation</u>
Temperature, °C	_____	_____	_____	_____
Relative humidity, %	_____	_____	_____	_____
Absolute pressure, kPa	_____	_____	_____	_____
Actual gas flow, L/min	_____	_____	_____	_____

Elution Period:

Duration _____ min, Monitoring frequency _____ times/h

<u>Parameter</u>	<u>Minimum</u>	<u>Maximum</u>	<u>Average</u>	<u>Std. Deviation</u>
Temperature, °C	_____	_____	_____	_____
Relative humidity, %	_____	_____	_____	_____
Absolute pressure, kPa	_____	_____	_____	_____
Actual gas flow, L/min	_____	_____	_____	_____

NOTE: The actual gas flows indicated are at the test conditions, that is, corrected for temperature, pressure, and water vapor. These values may be converted to superficial face velocity by dividing by the test bed cross-sectional area, and making the proper unit conversions.

FIG. A4.2 Internal Report Form (partial)

Counting Information

Type of instrument: _____
 (if gamma spectrometer, give energy region used)

Type and size of detector: _____

Results:

Test bed, total counts		
Test bed, counting time		min
Test bed, time since midnight		h
First backup bed, total counts		
First backup bed, counting time		min
First backup bed, time since midnight		h
Second backup bed, total counts		
Second backup bed, counting time		min
Second backup bed, time since midnight		h
Background test bed, total counts		
Background test bed, counting time		min
Background backup beds, total counts		
Background backup beds, counting time		min

Penetration ± 1 standard deviation, test bed: _____ \pm _____ %.

Efficiency, ± 1 standard deviation, first backup bed: _____ \pm _____ %.

Note: When a gross gamma counter is used, there will be only a single figure to be entered in the above blanks for total counts. However, when a spectrometer is used, three numbers are required for each blank asking for total counts. The first number in each "count" blank is the total count obtained in the given energy interval. The second number, which will be subtracted from the first, is the background count expected in that interval from extrapolation of the Compton continuum. Both numbers are required for proper error propagation. The third number is the difference between the first and second, or the Compton-corrected net counts that will be used in the calculation of penetration.

FIG. A4.3 Internal Report Form (continued)

Type of instrument: ND-66 Gamma Ray Spectrometer, 360 - 370 keV
 (if gamma spectrometer, give energy region used)

Type and size of detector: Ge(Li), 75 mL

Results:

Test bed, total counts	<u>475626-14890 = 460736</u>	
Test bed, counting time	<u>10</u>	min
Test bed, time since midnight	<u>8.5</u>	h
First backup bed, total counts	<u>140685-8682 = 132003</u>	
First backup bed, counting time	<u>60</u>	min
First backup bed, time since midnight	<u>9.5</u>	h
Second backup bed, total counts	<u>3195-487 = 2708</u>	
Second backup bed, counting time	<u>120</u>	min
Second backup bed, time since midnight	<u>13</u>	h
Background test bed, total counts	<u>492-451 = 41</u>	
Background test bed, counting time	<u>120</u>	min
Background backup beds, total counts	<u>485-492 = -7</u>	
Background backup beds, counting time	<u>120</u>	min

In this example, the penetration of the test bed and its standard deviation obtained using the Compton-corrected values are $4.619 \pm 0.014 \%$, and for the efficiency of the first backup bed are $98.969 \pm 0.020 \%$.

FIG. A4.4 Example of Counting Information

A5. PRECISION AND BIAS FOR TEST METHOD D 3803 (ACCORDING TO PRACTICE E 691)

A5.1 Annex Tables A5.1-A5.5 present precision and bias data as obtained using Practice E 691.

TABLE A5.1 Average and Standard Deviation of the Percent Methyl Iodide Penetration

NOTE 1—When following Practice E 691, this table corresponds to Table 1.

Lab	New Carbon	Used-E95 Carbon	
INEL	0.81	9.15	
	1.297	10.16	
avg.		1.054	9.655
sd		0.344	0.714
AAF	0.793	9.46	
	1.080	11.09	
avg.		0.936	10.275
sd		0.203	1.153
MSA	0.694	9.23	
	1.282	10.13	
avg.		0.988	9.680
sd		0.416	0.636
NCS	1.18	9.65	
	1.32	9.98	
avg.		1.250	9.815
sd		0.099	0.233
NUCON	0.74	10.23	
	1.17	10.53	
avg.		0.955	10.380
sd		0.304	0.212
OH	1.035	10.60	
	1.130	10.66	
avg.		1.082	10.630
sd		0.067	0.042
COLUMN AVG.	1.0442	10.0725	
COLUMN SD	0.2282	0.6050	

TABLE A5.2 Average and Standard Deviation of the Average Percent Methyl Iodide Penetration

NOTE 1—When following Practice E 691, this table corresponds to Table 3.

Lab	New Carbon	Used-E95 Carbon
INEL	1.054	9.655
AAF	0.936	10.275
MSA	0.988	9.680
NCS	1.250	9.815
NUCON	0.955	10.380
OH	1.082	10.630
COLUMN AVG.	1.0442	10.0725
COLUMN SD	0.1155	0.4101

TABLE A5.3 Average and Standard Deviation of the Standard Deviations: Pooled Within-Laboratory Standard Deviation

NOTE 1—When following Practice E 691, this table corresponds to Table 4.

Lab	New Carbon	Used-E95 Carbon
INEL	0.344	0.714
AAF	0.203	1.153
MSA	0.416	0.636
NCS	0.099	0.233
NUCON	0.304	0.212
OH	0.067	0.042
POOLED SD (s _{pj})	0.2706	0.6251

A5.1.1 Organizations for which abbreviations are used in these tables are as follows:

TABLE A5.4 Deviation of Percent Methyl Iodide Penetration from the Average: Component of Variance Between Laboratories

NOTE 1—When following Practice E 691, this table corresponds to Table 5.

Lab	New Carbon	Used-E95 Carbon
INEL	-0.010	0.417
AAF	0.108	-0.203
MSA	0.056	0.392
NCS	-0.206	0.257
NUCON	0.089	-0.308
OH	-0.038	-0.558
$(s_x)_j^2$	0.0133	0.1682
$(s_x)_j$	0.1155	0.4101
$(s_L)_j^2$	-0.0233	-0.0272
$(s_L)_j$	0	0

INEL = Idaho National Engineering Laboratory
 AAF = American Air Filter
 MSA = Mine Safety Appliances
 NCS = Nuclear Containment Systems
 NUCON = Nuclear Consulting Services, Inc.
 OH = Ontario Hydro

TABLE A5.5 Repeatability and Reproducibility for Percent Methyl Iodide Penetration

NOTE 1—When following Practice E 691, this table corresponds to Table 2.

Test	%Penetration			% Relative Standard Deviation
	Avg.	$(s_r)_j$	$(s_L)_j$	$(v_r(\%))_j$
New Carbon	1.082	0.2706	-0.0233	25.009
Used-E95 Carbon	10.072	0.6251	-0.0272	6.206

Test	$(v_L(\%))_j$	$(s_R)_j$	$(v_r(\%))_j$
New Carbon	-2.153	0.2716	25.102
Used-E95 Carbon	-0.270	0.6257	6.212

Test	95 % Repeatability Interval	95 % Reproducibility Interval
New Carbon	0.765 (0.317–1.847 %P)	0.768 (0.314–1.850 %P)
Used-E95 Carbon	1.768 (8.304–11.840 %P)	1.770 (8.302–11.842 %P)

The American Society for Testing and Materials takes no position respecting the validity of any patent rights asserted in connection with any item mentioned in this standard. Users of this standard are expressly advised that determination of the validity of any such patent rights, and the risk of infringement of such rights, are entirely their own responsibility.

This standard is subject to revision at any time by the responsible technical committee and must be reviewed every five years and if not revised, either reapproved or withdrawn. Your comments are invited either for revision of this standard or for additional standards and should be addressed to ASTM Headquarters. Your comments will receive careful consideration at a meeting of the responsible technical committee, which you may attend. If you feel that your comments have not received a fair hearing you should make your views known to the ASTM Committee on Standards, at the address shown below.

This standard is copyrighted by ASTM, 100 Barr Harbor Drive, PO Box C700, West Conshohocken, PA 19428-2959, United States. Individual reprints (single or multiple copies) of this standard may be obtained by contacting ASTM at the above address or at 610-832-9585 (phone), 610-832-9555 (fax), or service@astm.org (e-mail); or through the ASTM website (www.astm.org).